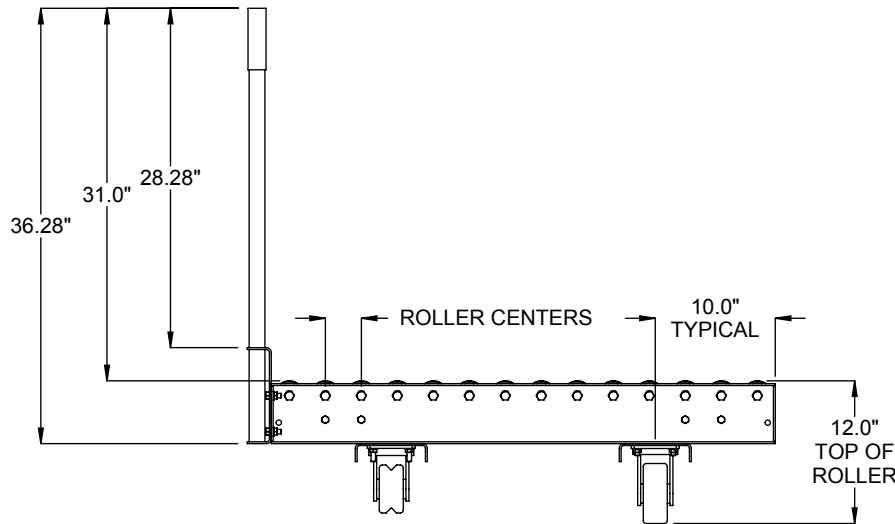
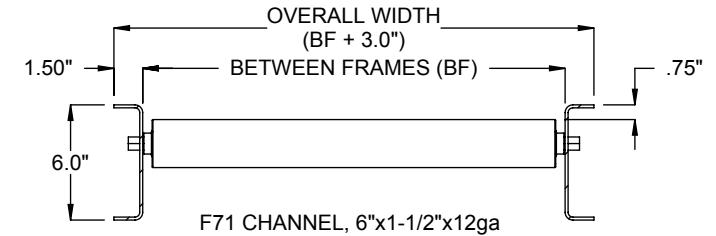


FRAME OPTIONS:



SPECIFICATIONS

BETWEEN FRAMES: 15" - 61"

LENGTH: 36" - 120"

ROLLER CENTERS: 3", 4", 6", 9", 12"

ROLLERS: 2.5" dia., 11ga wall tubes with 11/16" hex cold rolled steel axle, spring retained. Standard A50 bearings are light oil lubricated. Optional bearings include combinations of precision, semi-precision and non-precision construction with light oil or grease packed lubrication. 750 lbs roller capacity.

FRAMES: Standard F70 set high 5" x 1-1/2" x 12ga formed steel channel with bolted 1-1/8" x 1/8" angle crossties. Optional F71 set low 6" x 1-1/2" x 12ga.

ROLL COVERS: Standard carbon steel. Optional roll covers includes Orange Polyurethane, 1/8" wall or galvanized tube.

CASTERS: 4" cast iron V-groove and 5" phenolic.

HANDLE: 1" pipe with hand grip.

END STOP: Fixed style, near handle.

FRAME FINISH: Standard finish is OSHA safety blue powder. Optional colors include green, beige, gray, orange, black and yellow.

Model: TC2511 - Transfer Conveyor, 2.5 diameter

REV

0

