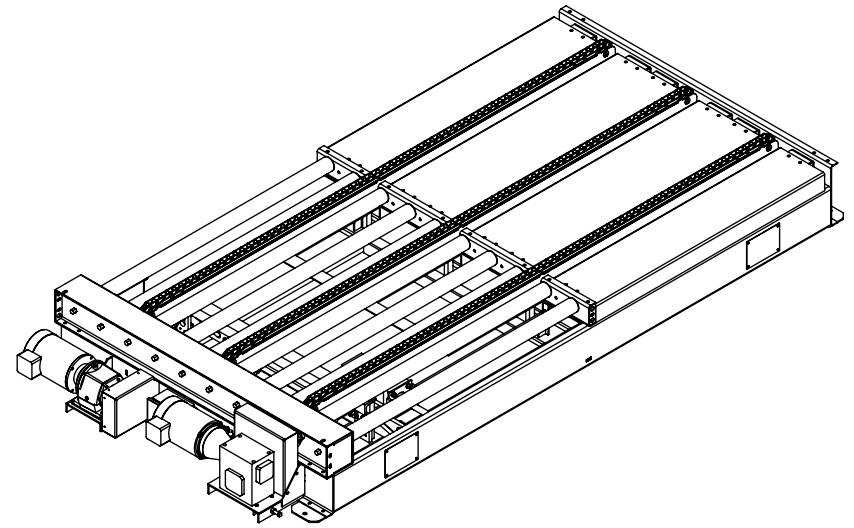


RAISED POSITION

CHAINS RAISE 1" ABOVE ROLLER SURFACE IN RAISED POSITION, 1/2" BELOW ROLLERS WHEN RETRACTED.



SPECIFICATIONS

EFFECTIVE WIDTH (EW): 31" to 61"

ELEVATION: 12" top of roller minimum

LENGTH (LG): 60" to 120"

NUMBER OF STRANDS (NS): 2, 3 or 4

SPEED: 30 - 60 Feet Per Minute

ROLLER CENTERS (RC): 4", 4-1/2", 6"

CHAIN CENTERS (TC): 12" to 48"

MOTOR: 3/4 HP through 1 HP. Energy efficient and inverter duty motors also available. Voltages include 120/1/60, 230/3/60, 460/3/60, 575/3/60 & DC Voltage.

ROLLER BEARING: Precision ABEC style with 11/16" hexagon axle

CHAIN: #C60, single pitch flat top conveyor chain, 3/4" pitch

AIR REQUIREMENTS: Transfer lift is pneumatically actuated, requires approximately 0.10 Ft³ of 60 PSI air per lift cycle. Includes FLR unit and (2) position double solenoid valve, 120 volt AC or 24 volt DC coils.

ELECTRICAL REQUIREMENTS: Includes up and down position proximity switches, 20 to 250 volt AC/DC, prewired and terminated in 6" square junction box on outside of conveyor frame. Photo-eye sensor available as option for product detection.

STOP: Fixed or retractable product stops available as an option

ROLLER COVER: Standard roller finish is carbon steel. Options for galvanized steel, urethane covers, or Ultrex accumulation sleeves also available

SUPPORTS: Minimum top of roller elevation is 12", supports available for up to 48" elevation

FRAME FINISH: Standard finish is OSHA safety blue. Optional colors include green, beige, gray, orange, black and yellow

Model: T05C25 – External, Extended Chain Transfer, 1500 pound capacity
T06C25 – External, Extended Chain Transfer, 4000 pound capacity

REV

0

LEWCO