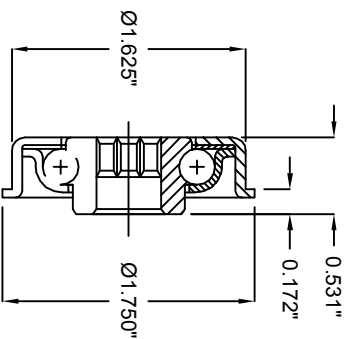
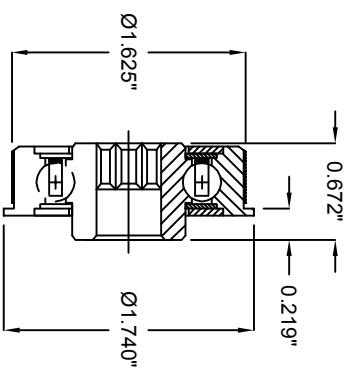


A30 BEARING
 LUBRICATION TYPE: OIL
 LOAD RATING: 135 LBS.
 TEMP. RATING: -20 F TO 140 F
 MAX SPEED: 200 RPM



A31 BEARING
 LUBRICATION TYPE: GREASE
 LOAD RATING: 135 LBS.
 TEMP. RATING: -20 F TO 350 F
 MAX SPEED: 200 RPM



A33 BEARING
 LUBRICATION TYPE: GREASE
 LOAD RATING: 428 LBS.
 TEMP. RATING: -20 F TO 220 F
 MAX SPEED: 1200 RPM

SPECIFICATIONS

BETWEEN FRAME: 6" - .51"

ROLL CONSTRUCTION: Round tube, 1.90" Diameter, 9 Gauge, HRPQ.

BEARINGS: Standard (A30) Non Precision, Crimped, Optional Semi-precision bearings; oiled or grease packed. All bearings with 7/16" hex axle.

AXLE RETENTION: Standard 3" Spring staked one side. Optional cotter pins.

ROLLER SURFACE: Standard Carbon Steel. Optional Orange Polyurethane, 1/8" wall.