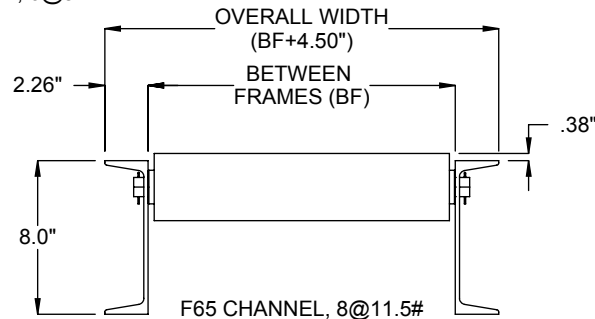
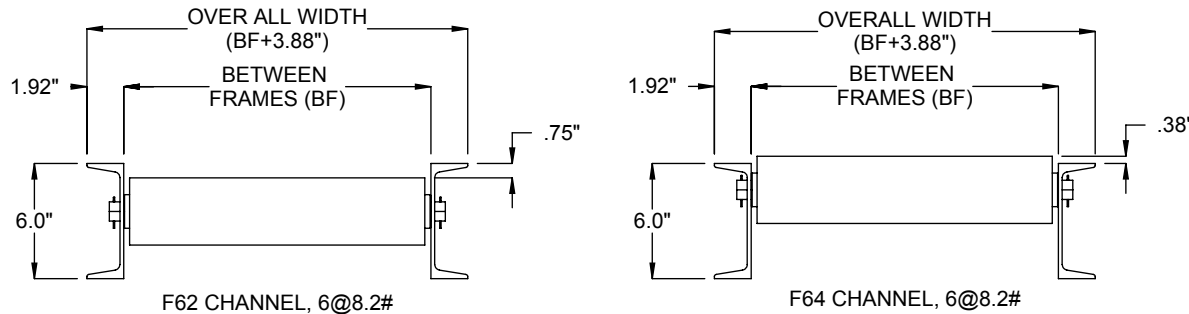


SECTION A-A
F95 CHANNEL, 5@6.7#
Ø 3.5" ROLLER

FRAME OPTIONS:



SPECIFICATIONS

BETWEEN FRAMES: 6" - 90"	LENGTH: 18" - 120"
ROLLER CENTERS: 4", 6", 8", 12", 24"	
ROLLERS: 3.5" dia., .300" wall tubes with 1" hex cold rolled steel axles, cotter pin retained. <u>Standard</u> A80 bearings are grease lubricated. Double Shielded. 2000 lbs roller capacity.	
FRAMES: Standard F95 set high 5@6.7# structural steel channel with welded 2" x 1/4" angle crossies.	
ROLLER SURFACE: <u>Optional</u> Orange Polyurethane, 1/8" wall.	
COUPLINGS: Welded 1/4" plate butt couplers <u>standard</u> on both ends of channel.	
FRAME FINISH: <u>Standard</u> finish is OSHA safety blue powder. <u>Optional</u> colors include green, beige, gray, orange, black and yellow.	

Model: 3530 - Gravity Roller Conveyor, 3.5 diameter 0.300 wall roller

REV
0

