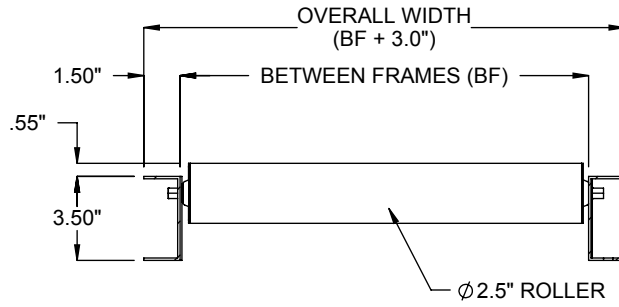
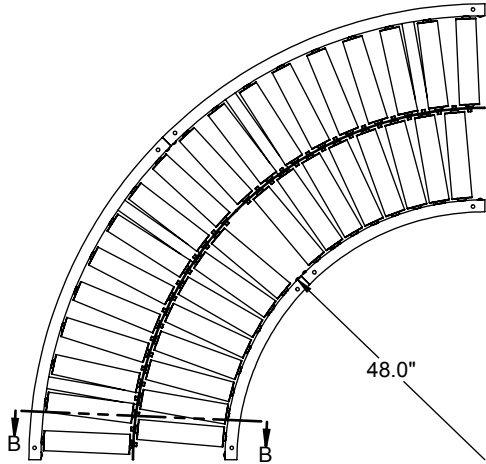
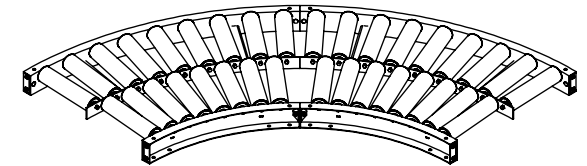
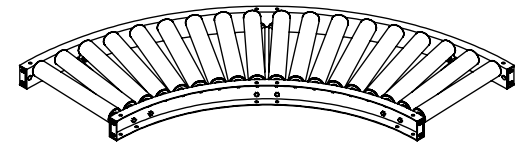


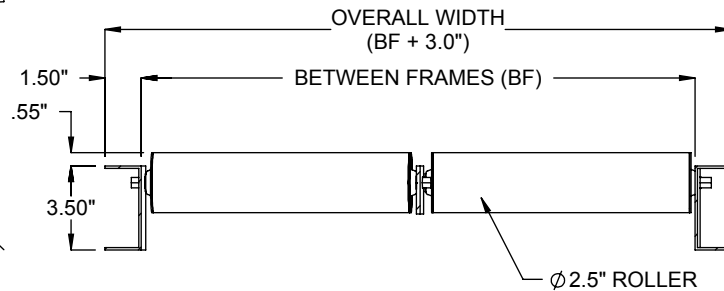
FRAME CONSTRUCTION FOR
6" - 27" BF



SECTION A-A



FRAME CONSTRUCTION FOR
OVER 27" BF



SECTION B-B

SPECIFICATIONS

BETWEEN FRAMES: 6" - 51" **DEGREE:** 90°, 45°, 30°

ROLLERS: 2.5" dia., 14ga wall tubes with 7/16" hex cold rolled steel axle, spring retained. Standard A40 bearings are light oil lubricated. Optional A41 bearings are greased. 290 lbs roller capacity.

FRAMES: Standard FC97 set high 3-1/2" x 1-1/2" x 12ga formed steel channel with bolted 2" x 8ga galvanized angle cross-ties. Optional frame include FC38 channel, 4-1/2" x 1-1/2" x 12ga set low.

ROLLER SURFACE: Optional Orange Polyurethane, 1/8" wall.

COUPLINGS: Bolted butt couplers Standard on both ends of channel.

FRAME FINISH: Standard finish is OSHA safety blue powder. Optional colors include green, beige, gray, orange, black and yellow.

NOTE: FOR BF 23" AND LARGER, 90 DEGREE CURVE SHIPS AS (2) 45 DEGREE CURVES. SUPPORT AT SPLICE JOINT IS REQUIRED.

Model: 2514C - Gravity Roller Conveyor, 2.5 diameter 14 gauge roller

REV

1

LEWCO