

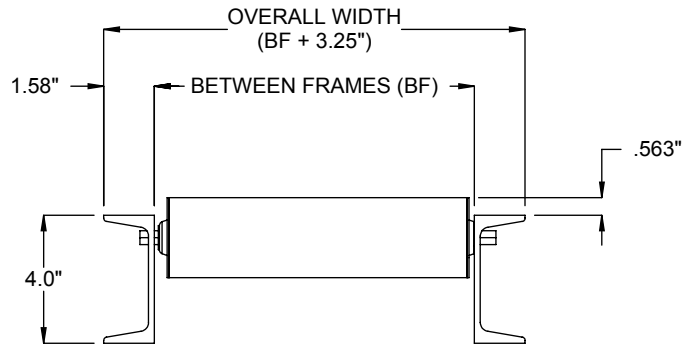
SPECIFICATIONS	
<b>BETWEEN FRAMES:</b> 6" - 51"	<b>LENGTH:</b> 18" - 120"
<b>ROLLER CENTERS:</b> 3", 4.5", 6", 9", 12"	
<b>ROLLERS:</b> 2.5" dia., 14ga wall tubes with 7/16" hex cold rolled steel axles, spring retained. Standard A40 bearings are light oil lubricated. <u>Optional</u> A41 bearings are greased. 290 lbs roller capacity.	
<b>FRAMES:</b> Standard F97 set high 3-1/2" x 1-1/2" x 12ga formed steel channel with bolted 2" x 8ga galvanized angle crossies.	
<b>ROLLER SURFACE:</b> <u>Optional</u> Orange Polyurethane, 1/8" wall.	
<b>COUPLINGS:</b> Bolted butt couplers <u>Standard</u> on both ends of channel.	
<b>FRAME FINISH:</b> Standard finish is OSHA safety blue powder. <u>Optional</u> colors include green, beige, gray, orange, black and yellow.	

**Model:** 2514 - Gravity Roller Conveyor, 2.5 diameter 14 gauge roller

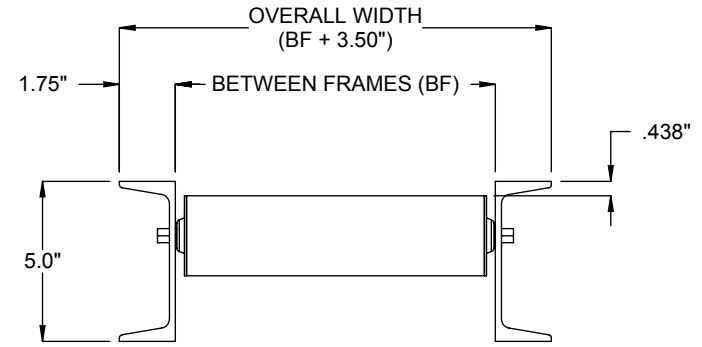
REV
0



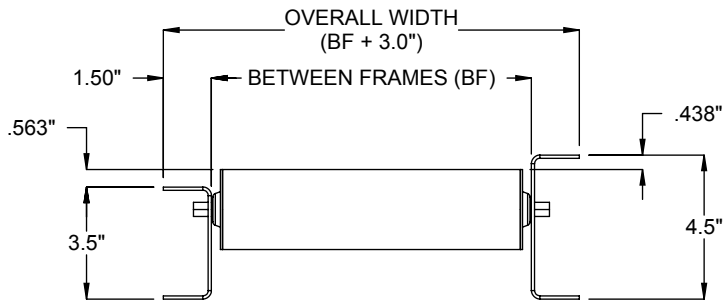
**FRAME OPTIONS:**



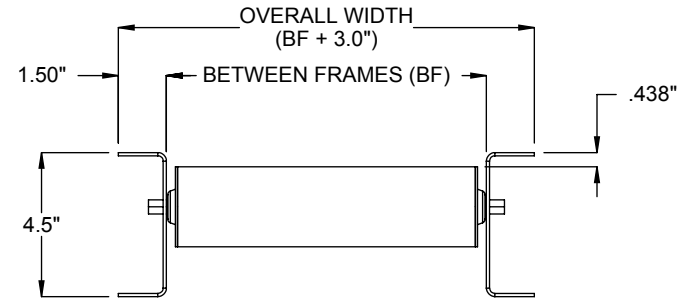
F15 CHANNEL, 4@5.4#



F16 CHANNEL, 5@6.7#



F18 CHANNEL, 3-1/2" & 4-1/2"



F38 CHANNEL, 4-1/2"x1-1/2"x12ga