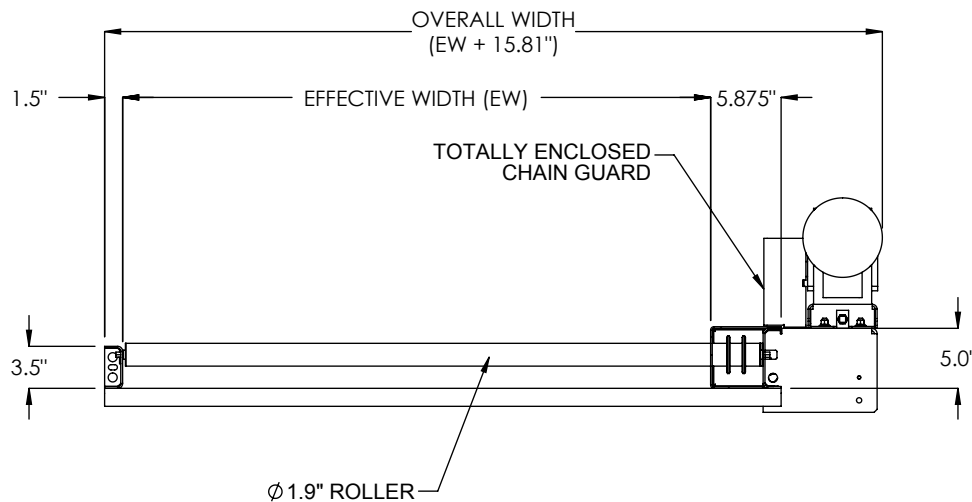


DRIVE MOUNTED HIGH



**SECTION A-A
DRIVE MOUNTED HIGH**

SPECIFICATIONS

EFFECTIVE WIDTH: 6" - 48"

BEGINNING ELEVATION: 6.5" - 120" **LENGTH:** 36" - 600"

ENDING ELEVATION: 6.5" - 120" **SPEED:** 10 - 100 FPM

ROLLER CENTERS: 4", 6", 8", 12"

DRIVE: Standard drive is mounted high near center of conveyor length on chain box side. Optional drives include drive mounted low or drive mounted below and within, near center.

FRAME: Standard frame includes 5" channel on chain box side and 3-1/2" channel on opposite side with roller set high in frame. Optional frame options include 5" channel on opposite side with roller set low in frame, or structural 5@6.7# both sides with roller set low.

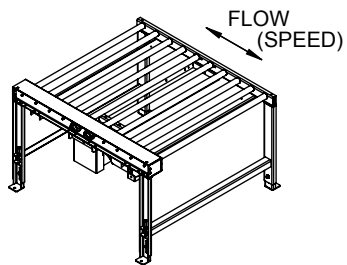
MOTOR: 1/2 HP through 2 HP. Energy efficient and inverter duty motors also available. Voltages include 120/1/60, 230/3/60, 460/3/60 and 575/3/60 & DC Voltage.

ROLLER BEARING: Precision, grease packed bearings, 7/16" hexagon axles.

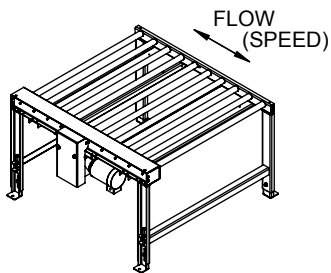
ROLLER COVERS: Optional roller covers include galvanized roller tube, polyurethane roller sleeves, Ultrax accumulation sleeves.

SUPPORT CENTERS: Standard supports are floor supports on 10' center.

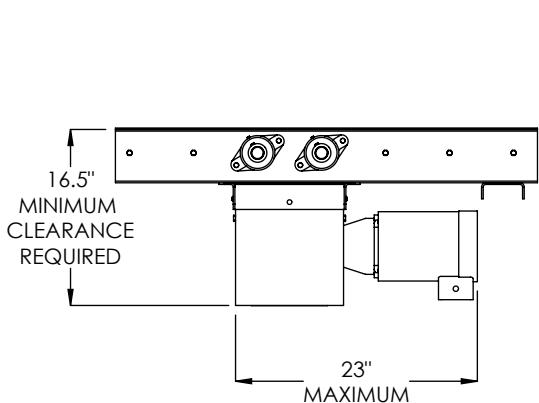
FRAME FINISH: Standard finish is OSHA safety blue powder. Optional colors include green, beige, gray, orange, black and yellow.



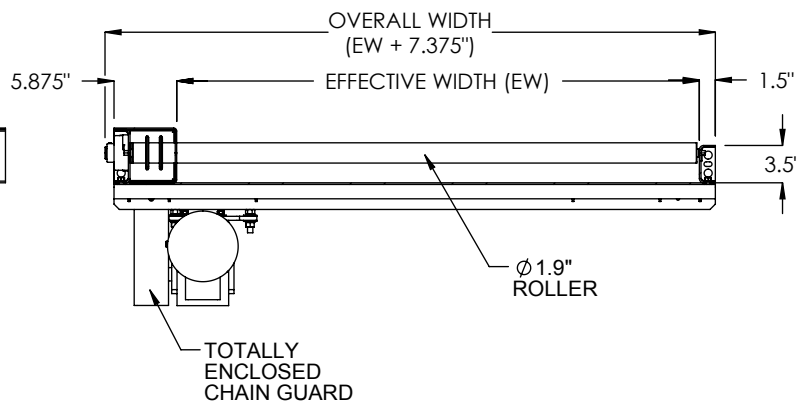
DRIVE MOUNTED BELOW AND WITHIN



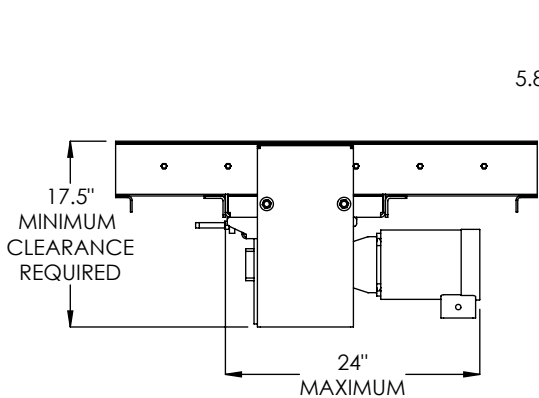
DRIVE MOUNTED LOW



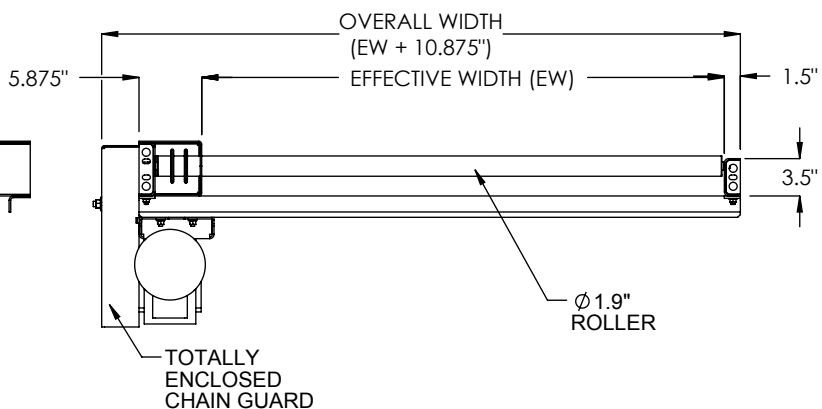
DRIVE OPTION MOUNTED BELOW AND WITHIN



DRIVE MOUNTED BELOW AND WITHIN END VIEW



DRIVE OPTION MOUNTED LOW



DRIVE MOUNTED LOW END VIEW

**LOAD CAPACITY @ 60 FPM (LBS)
CENTER DRIVE, 4" ROLLER CENTERS, 20 FT LENGTH**

HP	WIDTH		
	12"	30"	48"
1/2	1550	1350	1150
3/4	2450	2250	2100
1	3350	3150	3000
1 1/2	5150	4950	4800
2	7500	7500	7500

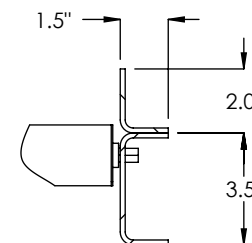
**LOAD CAPACITY @ 30 FPM (LBS)
CENTER DRIVE, 4" ROLLER CENTERS, 20 FT LENGTH**

HP	WIDTH		
	12"	30"	48"
1/2	3350	3150	3000
3/4	5150	4950	4800
1	7500	7500	7500
1 1/2	7500	7500	7500
2	7500	7500	7500

RECOMMENDED MAXIMUM CONVEYOR LOAD IS 150 LBS PER LINEAR FOOT - NOT TO EXCEED CAPACITY ABOVE. FOR HEAVIER LOADS, CONSULT FACTORY.

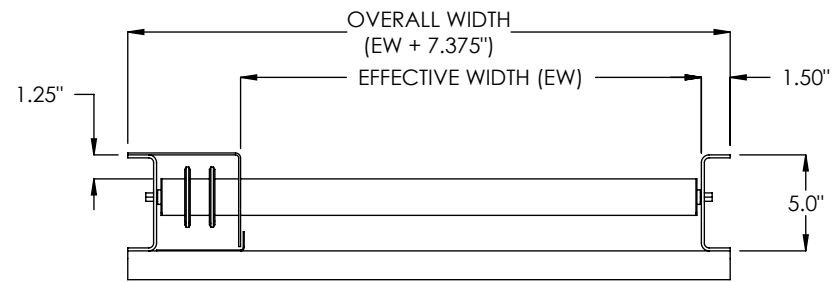
*** HP requirements will vary for different drive options, conveyor lengths, roller centers, pallet types and chain lubrication conditions. Consult factory.**

GUARDRAIL OPTION



2" x 1-1/2" x 8ga BOLT ON CHANNEL

FRAME OPTIONS:



F24 CHANNEL, 5" x 1-1/2" x 8ga