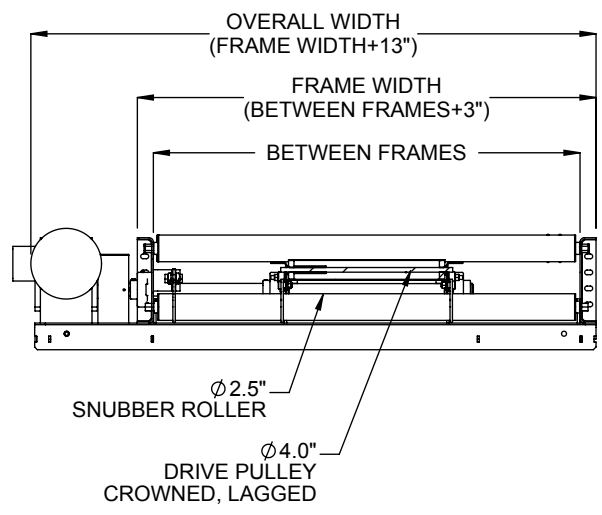
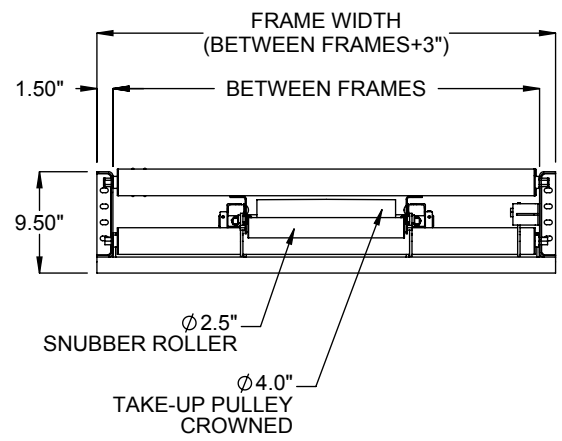


**END DRIVE, RIGHT HAND SIDE (SHOWN)
LEFT HAND SIDE OPPOSITE AS SHOWN**



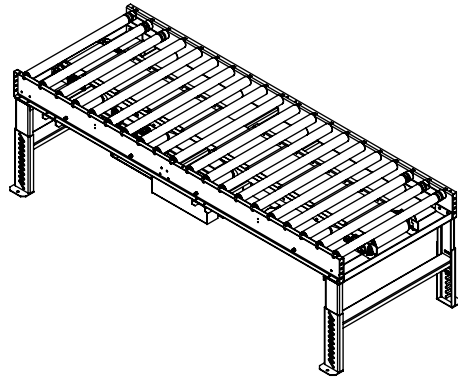
**SECTION A-A
DRIVE END**



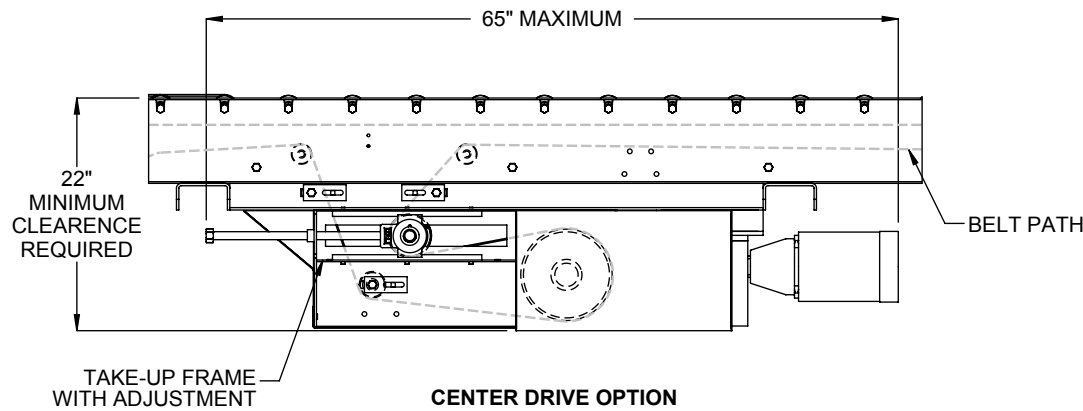
**SECTION B-B
TAKE-UP END**

SPECIFICATIONS	
BETWEEN FRAMES: 15" - 57"	
BEGINNING ELEVATION: 12" - 108"	LENGTH: 60" - 960"
ENDING ELEVATION: 12" - 108"	SPEED: 10 - 120 FPM
ROLLER CENTERS: 3", 4", 6"	
ZONE LENGTH: 36", 48", 60", 72", 84"	
ROLLERS: BDLR25 Roller - 2.50" diameter, 11ga wall tube. BDLR26 Roller - 2.625" diameter, 7ga wall tube. All rollers with 11/16" hex cold rolled steel axles, spring retained. Standard bearings are precision, grease packed bearings.	
BELT: Standard 12" wide Trackmate PVC120 with clipper lacing supported on 1.9" diameter 16 gauge rollers with precision bearings. <u>Optional</u> non-woven NBR Ultimate.	
DRIVE: Standard drive is an end drive, right hand side. <u>Optional</u> drives include end drive, left hand side; and center drive, right hand side.	
MOTOR: 3/4 HP through 1-1/2 HP, Energy efficient and inverter duty motors also available. Voltages include 120/1/60, 230/3/60, 460/3/60, 575/3/60 & DC Voltage.	
MINIMUM PRESSURE ACCUMULATION: Drive force is set by making adjustments to the pressure roller adjusting rods, typically located on 60" centers.	
ROLLER SURFACE: Standard roller surface is carbon steel. <u>Optional</u> surface for 2.5" rollers includes galvanized roller tube.	
SUPPORT CENTERS: <u>Standard</u> supports are floor supports on 5' centers. <u>Optional</u> on 10' centers.	
FRAME FINISH: Standard finish is OSHA safety blue powder. <u>Optional</u> colors include green, beige, gray, orange, black and yellow.	

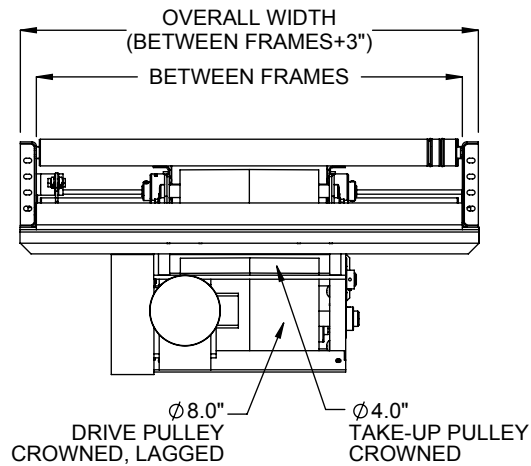
Model: BDLR25, BDLR26 - Belt Driven Live Roller Conveyor



CENTER DRIVE, RIGHT HAND SIDE (SHOWN)



CENTER DRIVE OPTION



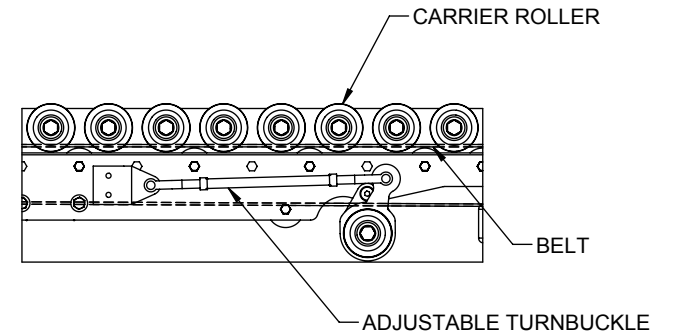
CENTER DRIVE END VIEW

LOAD CAPACITY @ 60 FPM (LBS)								
HP	3" ROLLER CENTERS				6" ROLLER CENTERS			
	24" BF		48" BF		24" BF		48" BF	
	40' LG	80' LG	40' LG	80' LG	40' LG	80' LG	40' LG	80' LG
3/4	-	-	-	-	50	-	-	-
1	150	-	-	-	750	100	250	-
1-1/2	850	-	-	-	1450	800	1000	-

LOAD CAPACITY @ 30 FPM (LBS)								
HP	3" ROLLER CENTERS				6" ROLLER CENTERS			
	24" BF		48" BF		24" BF		48" BF	
	40' LG	80' LG	40' LG	80' LG	40' LG	80' LG	40' LG	80' LG
3/4	850	-	-	-	1450	800	1000	-
1	1550	300	600	-	2200	1500	1700	550
1-1/2	2500	1200	1550	-	3100	2450	2650	1500

RECOMMENDED MAXIMUM CONVEYOR LOAD IS 1000 LBS PER LINEAR FOOT - NOT TO EXCEED CAPACITY ABOVE. FOR HEAVIER LOADS, CONSULT FACTORY

*** HP requirements will vary for different drive options, belts, applications, conveyor widths, lengths, roller centers and speeds. Consult factory.**



DRIVE PRESSURE ADJUSTMENT ADJUSTABLE TURNBUCKLE