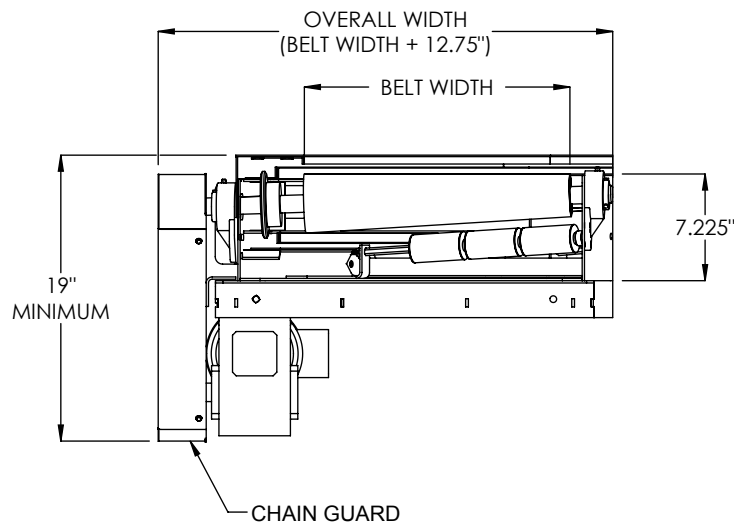


END DRIVE, BOTTOM, RIGHT HAND (SHOWN)  
END DRIVE, BOTTOM, LEFT HAND (OPPOSITE)



END DRIVE, BOTTOM RIGHT  
END VIEW

## SPECIFICATIONS

**EFFECTIVE WIDTH:** 12", 18", 24", 30", 36"

**BEGINNING ELEVATION:** 19" - 126"

**DEGREES:** 45°, 90°, 180°

**ENDING ELEVATION:** 19" - 126"

**SPEED:** 15 - 100 FPM

**BELT:** Standard is Polyurethane thermo-plastic. Optional White polyvinylchloride food grade, polymate.

**DRIVE:** Standard drive is an end drive, bottom right hand. Optional drives include end drive bottom left hand; side drive right or left hand side.

**MOTOR:** 1/2 HP through 1-1/2 HP. Energy efficient and inverter duty & brake motors also available. Voltages include 120/1/60, 230/3/60, 460/3/60, 575/3/60 & DC Voltage.

**SUPPORT CENTERS:** Standard supports are floor supports on 5' centers. Optional ceiling supports on 5' centers.

**GUARDRAIL:** Optional 2.0", 4.0", 6.0" outside rail or both rails.

**FRAME FINISH:** Standard finish is OSHA safety blue powder. Optional colors include green, beige, gray, orange, black and yellow.

**Model:** MDBC - Medium Duty Belt Curve

REV

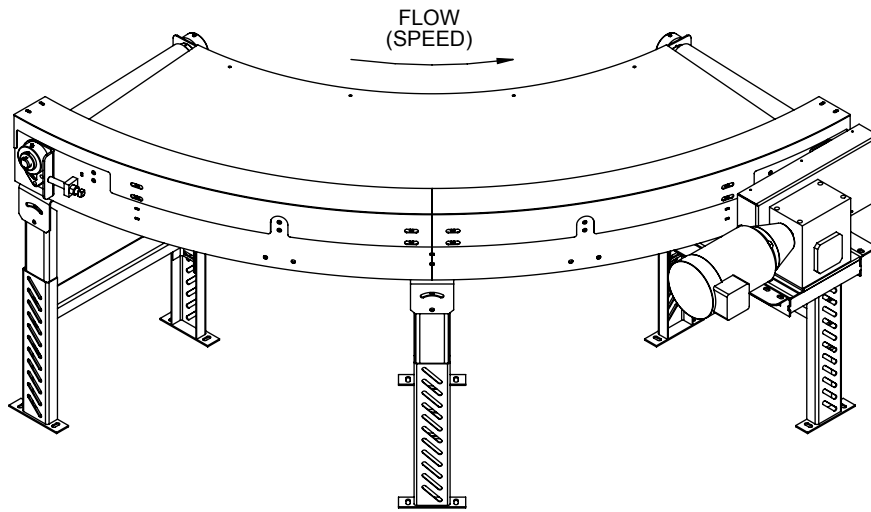
1

**LEWCO**

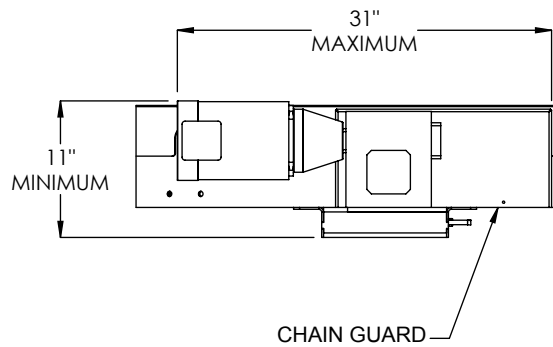
LOAD CAPACITY: 850 LB MAXIMUM LOAD DISTRIBUTED ON CONVEYOR.

MEDIUM DUTY BELT CURVE CONVEYOR

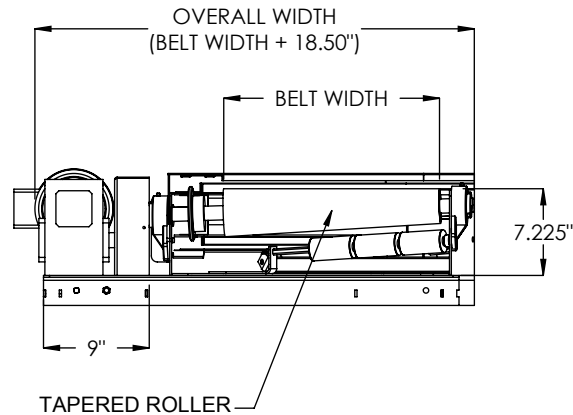
EFFECTIVE WIDTH	BELT WIDTH	FRAME WIDTH	INSIDE RADIUS	CENTERLINE RADIUS	OUTSIDE RADIUS
12"	13.75"	17.50"	33"	39"	45"
18"	19.75"	23.50"	39"	48"	57"
24"	25.75"	29.50"	33"	45"	57"
30"	31.75"	35.50"	51"	66"	81"
36"	37.75"	41.50"	45"	63"	81"
42"	43.75"	47.50"	39"	60"	81"
48"	47.75"	51.50"	33"	57"	81"



END DRIVE, SIDE, RIGHT, OUTSIDE RADIUS (SHOWN)  
END DRIVE, SIDE, LEFT, OUTSIDE RADIUS (OPPOSITE)



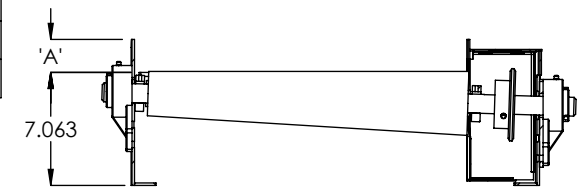
END DRIVE, SIDE, RIGHT



END DRIVE, SIDE, RIGHT  
END VIEW

A
2.0"
4.0"
6.0"

GUARD RAIL OPTION



A x 8ga