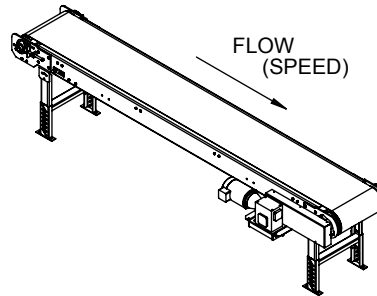
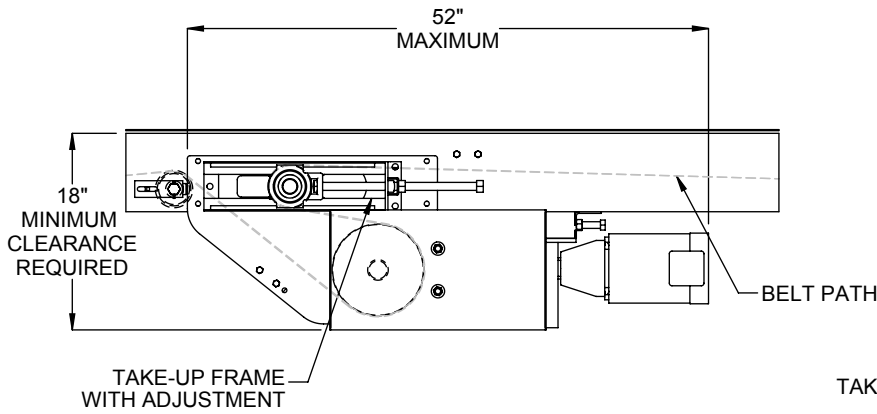


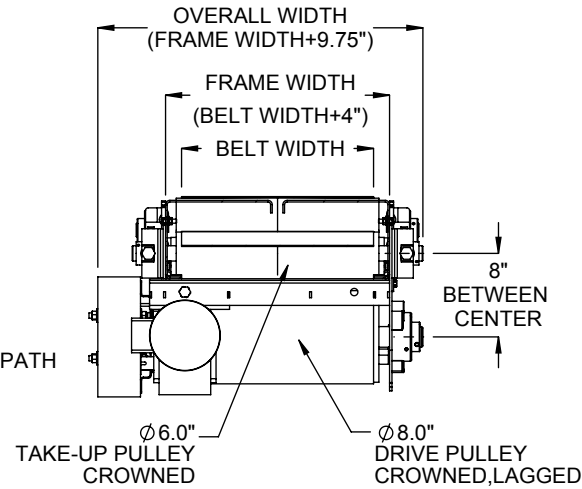
**CENTER DRIVE, RIGHT HAND SIDE (SHOWN)  
LEFT HAND SIDE OPPOSITE AS SHOWN**



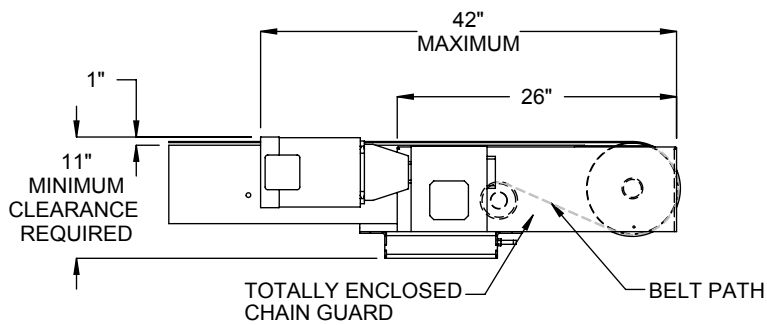
**SIDE DRIVE, RIGHT HAND SIDE (SHOWN)  
LEFT HAND SIDE OPPOSITE AS SHOWN**



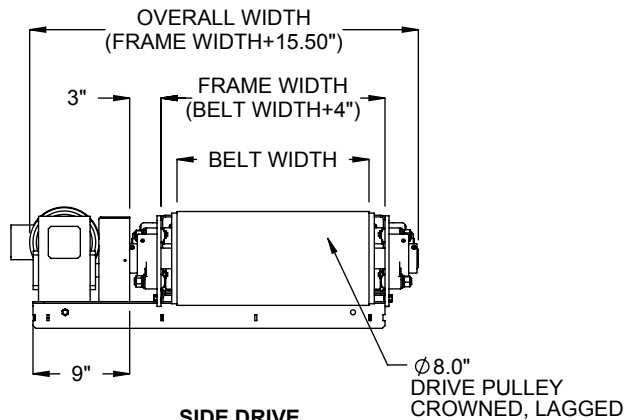
**CENTER DRIVE OPTION**



**CENTER DRIVE  
END VIEW**



**SIDE DRIVE OPTION**



**SIDE DRIVE  
END VIEW**

**LOAD CAPACITY @ 60 FPM (LBS)**

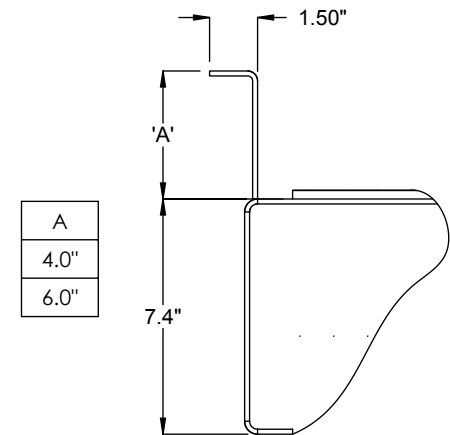
HP	WIDTH					
	12"	24"	36"	48"	60"	72"
3/4	440	425	410	400	385	375
1	590	580	560	550	540	525
1 1/2	900	885	870	850	840	830
2	1200	1190	1180	1160	1150	1140

**LOAD CAPACITY @ 30 FPM (LBS)**

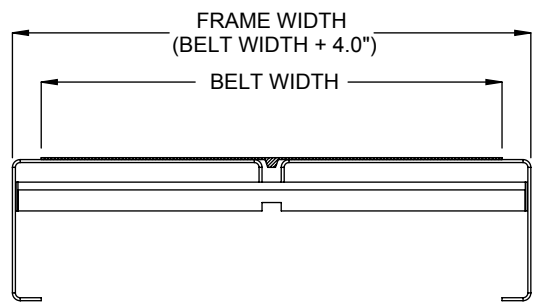
HP	WIDTH					
	12"	24"	36"	48"	60"	72"
3/4	890	880	870	855	840	830
1	1190	1180	1170	1160	1150	1130
1 1/2	1800	1795	1785	1770	1760	1740
2	2420	2410	2400	2380	2370	2360

**MAXIMUM LOAD PER LINEAR FOOT OF CONVEYOR  
IS 200 POUNDS - NOT TO EXCEED CAPACITY ABOVE**

**GUARD RAIL OPTION**



**ANGLE GUARD RAIL  
WELDED TO BOTH SIDES**



**OPTIONAL V-BELT CONSTRUCTION**

**NOTE: PULLEYS ARE GROOVED TO ACCOMMODATE THE V-BELT**