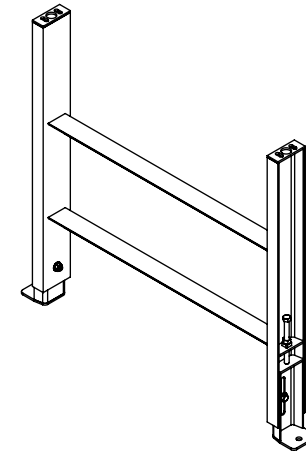
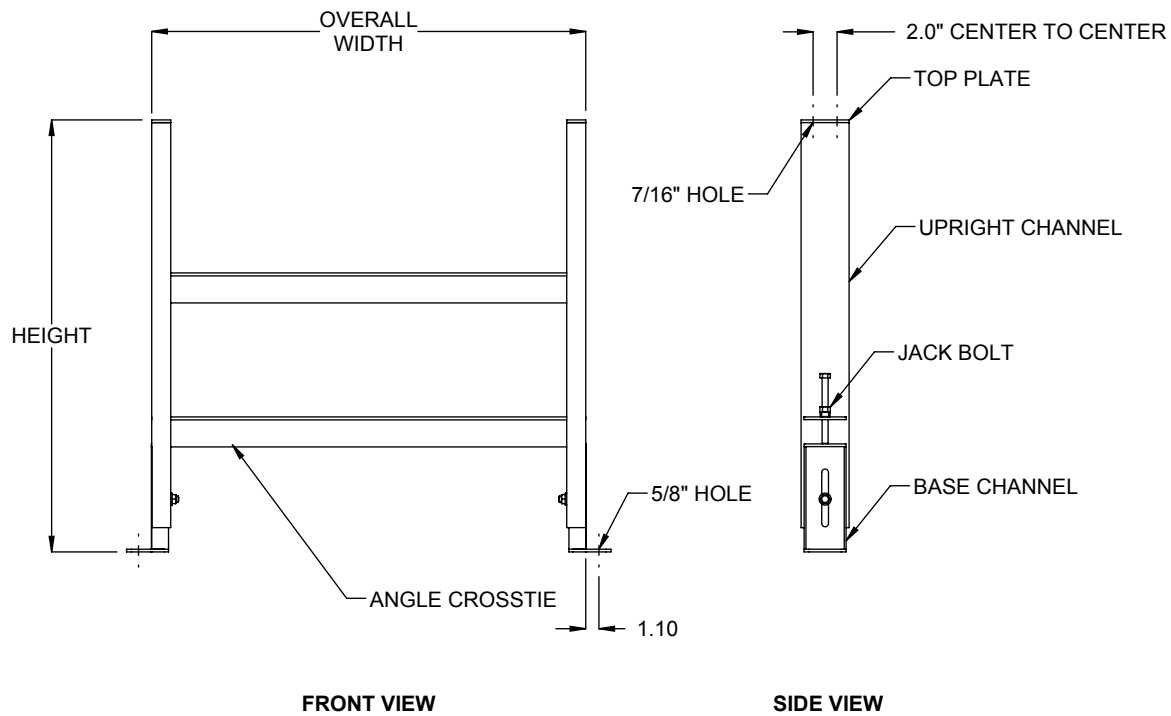


LOAD CAPACITY: UP TO 3000 LBS. MAXIMUM LOAD PER SUPPORT.



SPECIFICATIONS

OVERALL WIDTH: 9" - 69"

HEIGHT: 9" - 36"

HEIGHT ADJUSTMENT: +/- 1" for 9" - 12" HEIGHT, +/- 2" for 14" - 36" HEIGHT.

CONSTRUCTION: Structural 4@5.4# upright channel and formed 3.4" wide, 8ga base channel. Welded angle crosstie, 8ga. Base plate, 4ga.

TOP PLATE: Standard 4ga fixed top plate.

FINISH: Standard finish is OSHA safety blue powder. Optional colors include green, beige, gray, orange, black and yellow.

Model: SPSJ4, Support, 4" Structural, Jack Bolt

REV

0

