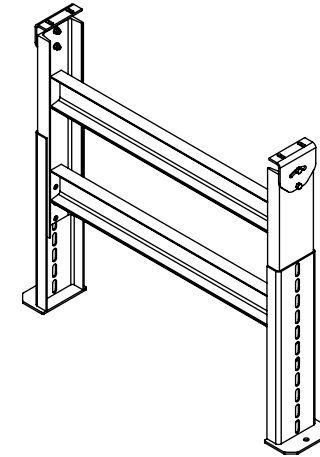
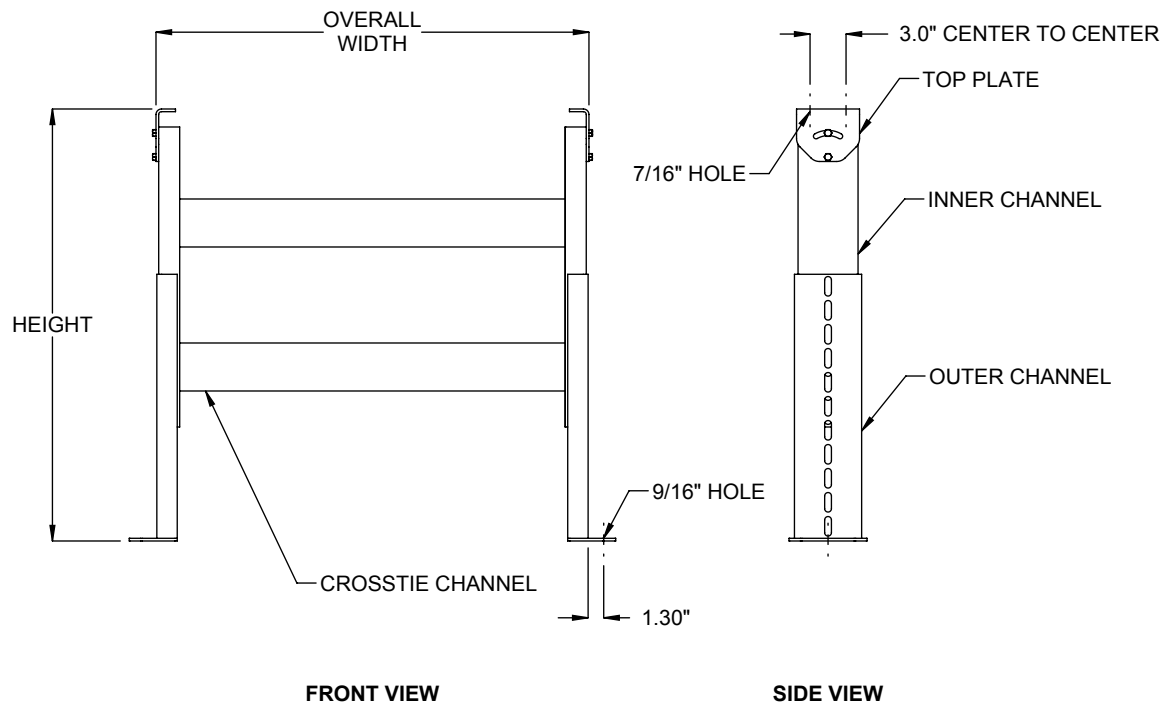


LOAD CAPACITY: 6000 LB. MAXIMUM LOAD PER SUPPORT.



SPSHA: HEIGHT RANGE

MODEL	MIN.	MAX.	MODEL	MIN.	MAX.	MODEL	MIN.	MAX.
SPSHA14	12.00"	14.75"	SPSHA70	55.00"	70.75"	SPSHA130	115.00"	130.75"
SPSHA16	13.00"	16.75"	SPSHA82	67.00"	82.75"	SPSHA140	125.00"	140.75"
SPSHA18	14.00"	18.75"	SPSHA92	77.00"	92.75"	SPSHA150	135.00"	150.75"
SPSHA22	17.00"	22.75"	SPSHA104	89.00"	104.75"	SPSHA162	147.00"	162.75"
SPSHA26	19.00"	26.75"	SPSHA114	99.00"	114.75"	SPSHA174	159.00"	174.75"
SPSHA36	26.75"	36.75"	SPSHA117	102.00"	117.75"	SPSHA186	171.00"	186.75"
SPSHA46	31.00"	46.75"	SPSHA120	105.00"	120.75"	SPSHA196	181.00"	196.75"
SPSHA58	43.00"	58.75"	SPSHA126	110.00"	126.75"	SPSHA208	193.00"	208.75"

SPECIFICATIONS

OVERALL WIDTH: 18" - 94"

CONSTRUCTION: C5@6.7# inner channel and formed outer channel, 8ga; C4@5.4# Welded channel crosstie; Base plate, 4ga.

TOP PLATE: Standard 4ga pivot top plate is available where adjustable pitch is required.

FINISH: Standard finish is OSHA safety blue powder. Optional colors include green, beige, gray, orange, black and yellow.

Model: SPSHA - Support, Structural, Extra Heavy Duty, Adjustable

