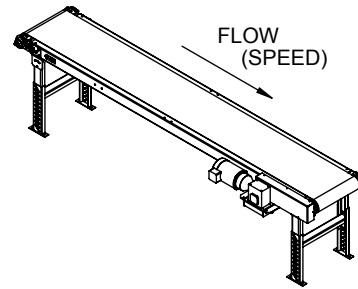
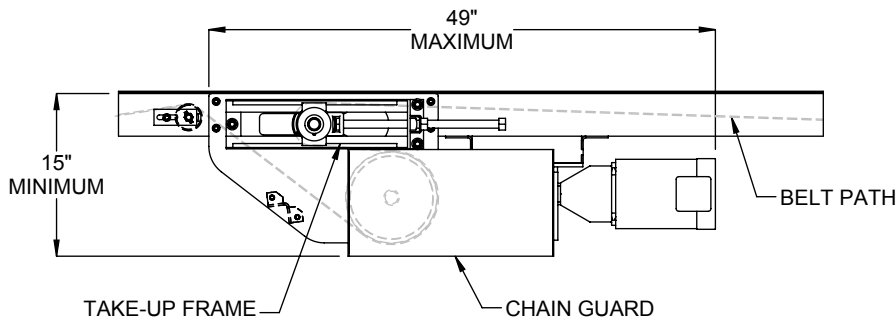


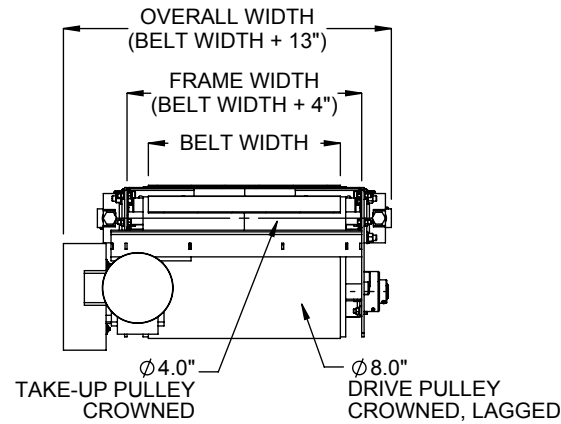
**CENTER DRIVE, RIGHT HAND (SHOWN)
CENTER DRIVE, LEFT HAND (OPPOSITE)**



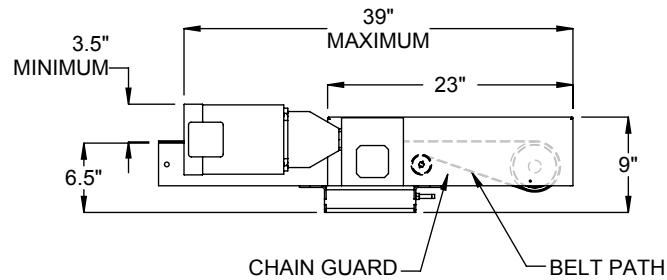
**SIDE DRIVE, RIGHT HAND (SHOWN)
SIDE DRIVE, LEFT HAND (OPPOSITE)**



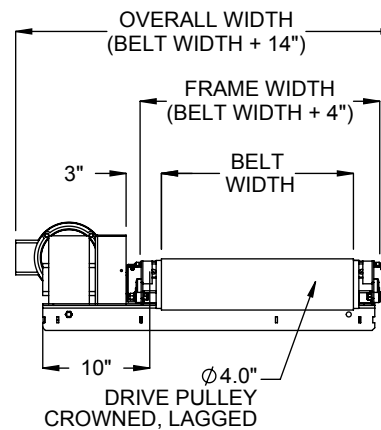
CENTER DRIVE OPTION



**CENTER DRIVE
END VIEW**



SIDE DRIVE OPTION



**SIDE DRIVE
END VIEW**

LOAD CAPACITY @ 60 FPM (LBS)

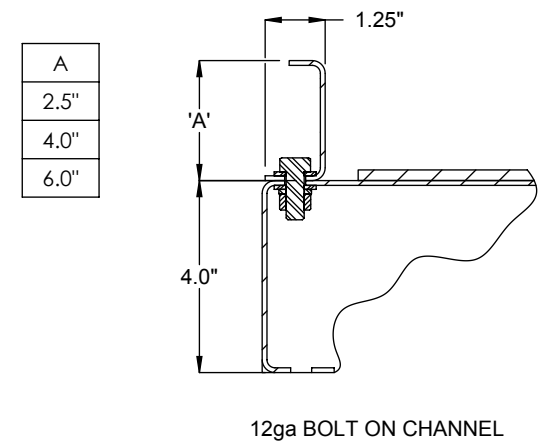
HP	WIDTH				
	12"	18"	24"	30"	36"
1/2	290	285	280	270	265
3/4	445	440	435	425	420
1	600	590	585	580	570
1 1/2	900	895	885	880	870

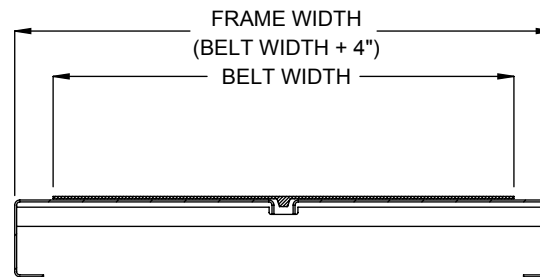
LOAD CAPACITY @ 30 FPM (LBS)

HP	WIDTH				
	12"	18"	24"	30"	36"
1/2	600	595	590	580	575
3/4	910	900	895	890	880
1	1215	1205	1200	1195	1185
1 1/2	-	1820	1810	1805	1800

MAXIMUM LOAD PER LINEAR FOOT OF CONVEYOR IS 75 POUNDS - NOT TO EXCEED CAPACITY ABOVE

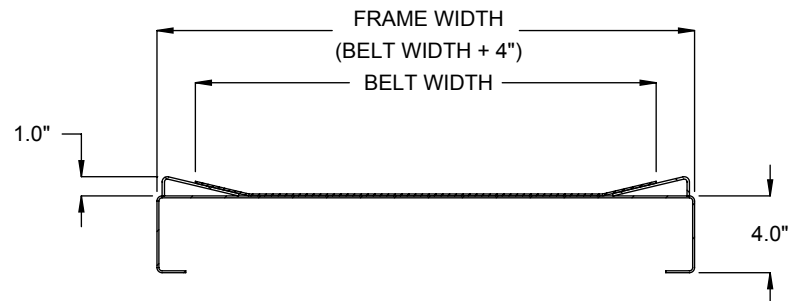
GUARDRAIL OPTION





OPTIONAL V-BELT CONSTRUCTION

NOTE: PULLEYS ARE GROOVED TO ACCOMMODATE THE V-BELT



OPTIONAL TROUGH CONSTRUCTION

