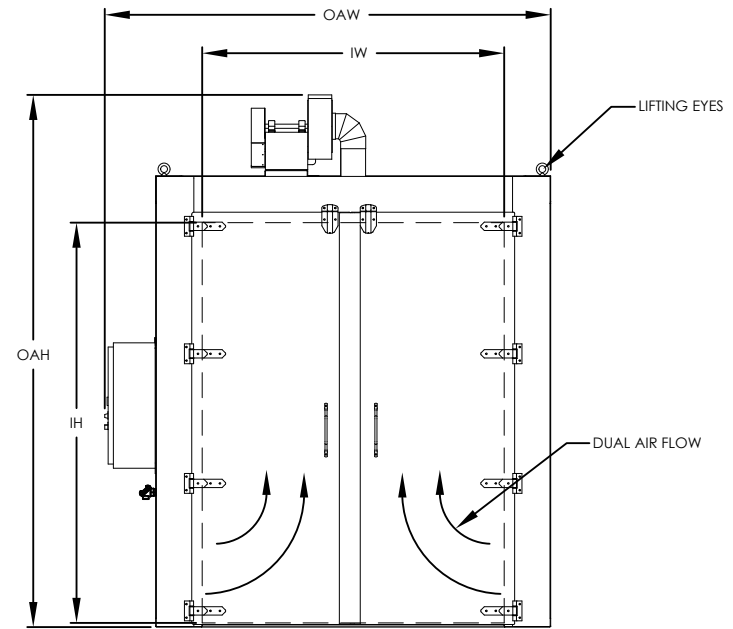
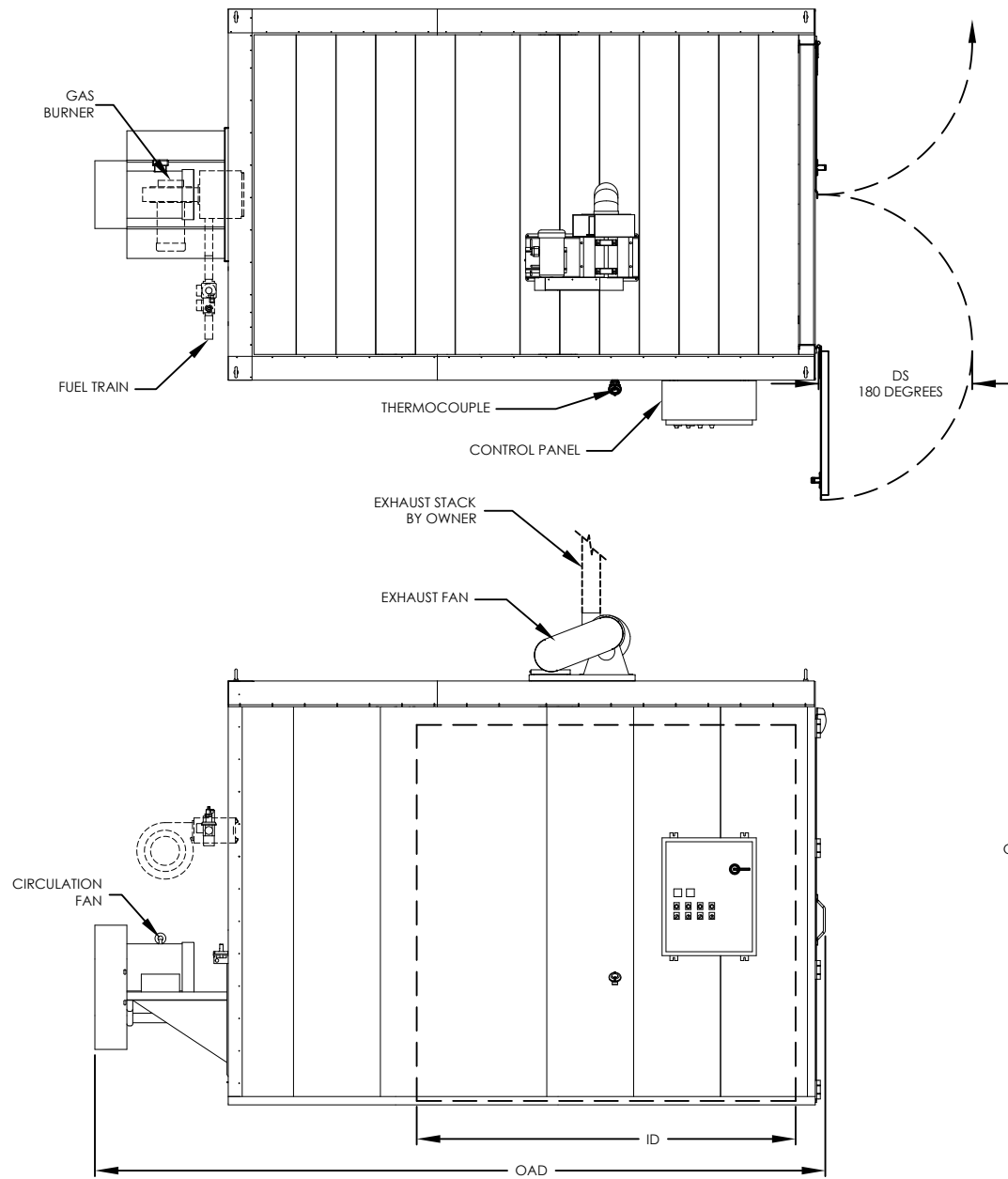




**Enhanced Walk-In Oven, Rear Heater, 1200 F, Fuel Fired, Dual Air Flow
NFPA Class B**

Model	Workspace Dimensions			Heat Input	Circulating Blower (CFM)	Exhaust (ACFM)	Ships
	"W	"D	"H				
EWR12FD-48-48-60	48	- 48	- 60	400,000 BTUH	3500	500	Fully Assembled
EWR12FD-48-48-72	48	- 48	- 72	400,000 BTUH	4000	500	Fully Assembled
EWR12FD-48-48-96	48	- 48	- 96	700,000 BTUH	5000	500	Fully Assembled
EWR12FD-48-72-72	48	- 72	- 72	700,000 BTUH	5500	500	Fully Assembled
EWR12FD-48-72-96	48	- 72	- 96	700,000 BTUH	8000	750	Fully Assembled
EWR12FD-48-96-72	48	- 96	- 72	700,000 BTUH	8000	750	Fully Assembled
EWR12FD-48-96-96	48	- 96	- 96	700,000 BTUH	10000	750	Fully Assembled
EWR12FD-60-60-60	60	- 60	- 60	700,000 BTUH	5000	500	Fully Assembled
EWR12FD-60-60-72	60	- 60	- 72	700,000 BTUH	6000	500	Fully Assembled
EWR12FD-60-60-96	60	- 60	- 96	700,000 BTUH	8000	750	Fully Assembled
EWR12FD-60-72-72	60	- 72	- 72	700,000 BTUH	7000	750	Fully Assembled
EWR12FD-60-72-96	60	- 72	- 96	700,000 BTUH	10000	750	Fully Assembled
EWR12FD-60-96-96	60	- 96	- 96	700,000 BTUH	14000	750	Fully Assembled
EWR12FD-72-72-72	72	- 72	- 72	700,000 BTUH	9000	750	Fully Assembled
EWR12FD-72-72-96	72	- 72	- 96	700,000 BTUH	12000	750	Fully Assembled
EWR12FD-72-96-96	72	- 96	- 96	700,000 BTUH	16000	750	Fully Assembled

MODEL	WORKSPACE DIMENSIONS				OVERALL DIMENSIONS		
	IW	ID	IH	DS	OAW	OAD	OAH
	(in)	(in)	(in)	(in)	(in)	(in)	(in)
EWR12FD-48-48-60	48	48	60	34	82	109	103
EWR12FD-48-48-72	48	48	72	34	82	113	115
EWR12FD-48-48-96	48	48	96	34	82	119	139
EWR12FD-48-72-72	48	72	72	34	82	147	115
EWR12FD-48-72-96	48	72	96	34	82	153	139
EWR12FD-48-96-72	48	96	72	34	82	177	115
EWR12FD-48-96-96	48	96	96	34	82	177	141
EWR12FD-60-60-60	60	60	60	40	94	131	103
EWR12FD-60-60-72	60	60	72	40	94	135	115
EWR12FD-60-60-96	60	60	96	40	94	141	139
EWR12FD-60-72-72	60	72	72	40	94	153	115
EWR12FD-60-72-96	60	72	96	40	94	153	139
EWR12FD-60-96-96	60	96	96	40	94	184	141
EWR12FD-72-72-72	72	72	72	46	106	153	115
EWR12FD-72-72-96	72	72	96	46	106	153	139
EWR12FD-72-96-96	72	96	96	46	105	189	141



THE NATIONAL FIRE PROTECTION ASSOCIATION'S STANDARD NFPA 86 DOCUMENTS GUIDELINES FOR THE SAFE OPERATION OF OVENS AND FURNACES. THIS STANDARD DEFINES AN OVEN OCCASIONED BY THE PRESENCE OF FLAMMABLE VOLATILES OR COMBUSTIBLE MATERIAL AS "CLASS A" AND FURTHER MANDATES SPECIFIC SAFETY EQUIPMENT ON THESE OVENS TO REDUCE THE RISK OF FIRE OR EXPLOSION. SIMILARLY, OVENS OR FURNACES WHEREIN NO FLAMMABLE VOLATILES OR COMBUSTIBLE MATERIALS ARE PRESENT ARE CONSIDERED "CLASS B". IT IS IMPERATIVE THAT THE USER OF HEAT PROCESSING EQUIPMENT BE KNOWLEDGEABLE REGARDING APPLICATION OF THE EQUIPMENT.

MODEL: EWR12FD
 DESCRIPTION: Enhanced Walk-In Oven, Rear Heater, 1200 F, Gas, Dual Air Flow
 DRAWING: EWR12FD SALES

LEWCO, INC. IS COMMITTED TO CONTINUOUS IMPROVEMENT AND RESERVES THE RIGHT TO CHANGE DESIGNS AND SPECIFICATIONS WITHOUT NOTICE.
 THIS DRAWING IS CONFIDENTIAL AND MUST NOT BE COPIED, REPRODUCED OR USED FOR ANY PURPOSE WITHOUT THE WRITTEN CONSENT OF LEWCO, INC. ALL RIGHTS RESERVED.

DATE 4/30/2014
 REV 001
 PAGE 1 OF 1

