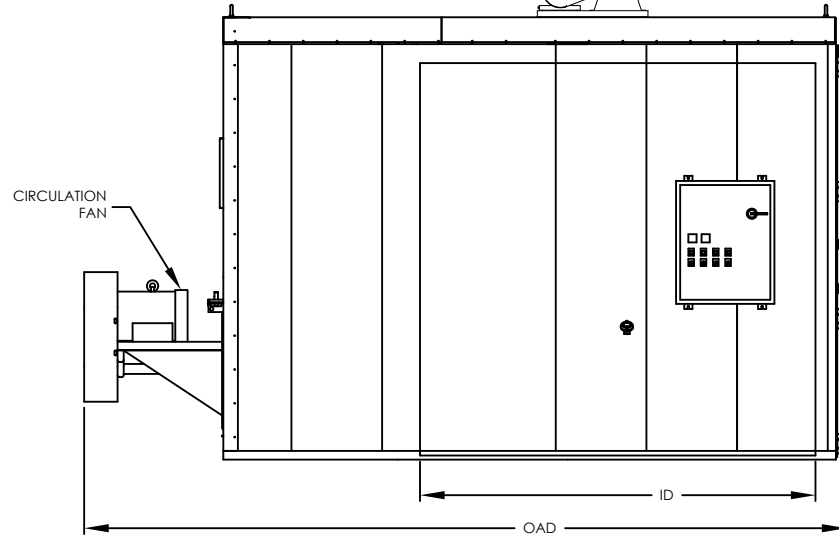
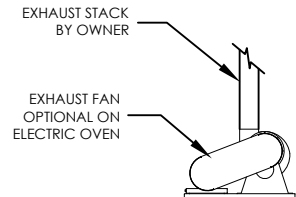
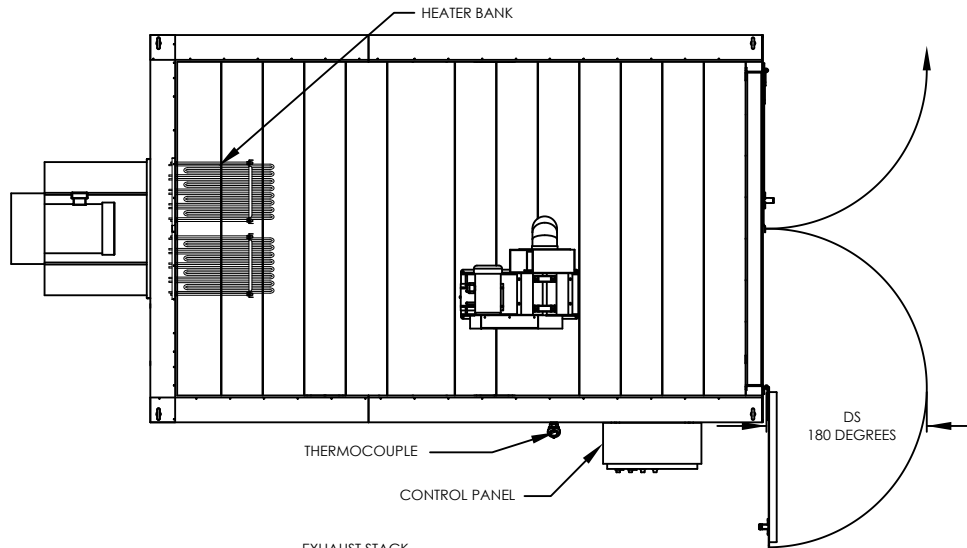


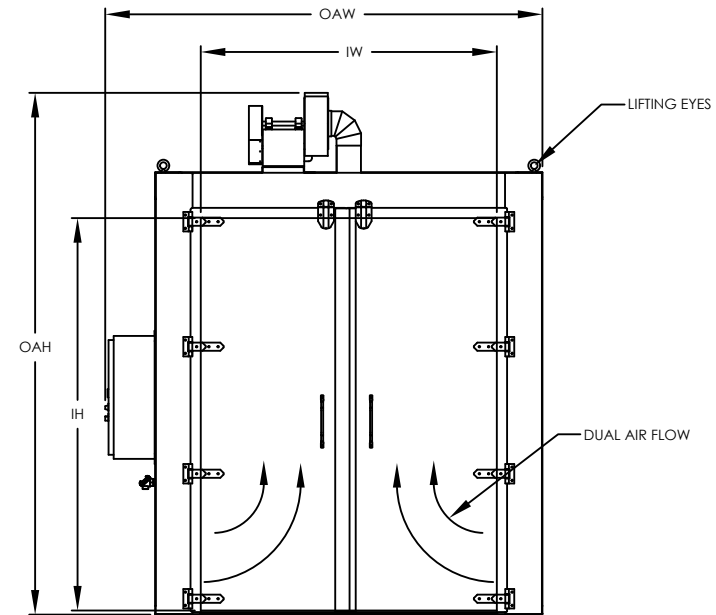


**Enhanced Walk-In Oven, Rear Heater, 800 F, Electric, Dual Air Flow
NFPA Class B**

Model	Workspace Dimensions			Heat Input	Circulating Blower (CFM)	Ships
	"W	"D	"H			
EWR08ED-48-48-60	48	48	60	54	2000	Fully Assembled
EWR08ED-48-48-72	48	48	72	63	2500	Fully Assembled
EWR08ED-48-48-96	48	48	96	72	3500	Fully Assembled
EWR08ED-48-72-72	48	72	72	72	4000	Fully Assembled
EWR08ED-48-72-96	48	72	96	81	5000	Fully Assembled
EWR08ED-48-96-72	48	96	72	81	5000	Fully Assembled
EWR08ED-48-96-96	48	96	96	90	7000	Fully Assembled
EWR08ED-60-60-60	60	60	60	63	3500	Fully Assembled
EWR08ED-60-60-72	60	60	72	72	4000	Fully Assembled
EWR08ED-60-60-96	60	60	96	81	5000	Fully Assembled
EWR08ED-60-72-72	60	72	72	72	4500	Fully Assembled
EWR08ED-60-72-96	60	72	96	90	6000	Fully Assembled
EWR08ED-60-96-96	60	96	96	117	8000	Fully Assembled
EWR08ED-72-72-72	72	72	72	81	5500	Fully Assembled
EWR08ED-72-72-96	72	72	96	90	8000	Fully Assembled
EWR08ED-72-96-96	72	96	96	117	10000	Fully Assembled
EWR08ED-72-120-96	72	120	96	153	12000	Fully Assembled



MODEL	WORKSPACE DIMENSIONS				OVERALL DIMENSIONS		
	IW (in)	ID (in)	IH (in)	DS (in)	OAW (in)	OAD (in)	OAH (in)
EWRO8ED-48-48-60	48	48	60	34	79	107	72
EWRO8ED-48-48-72	48	48	72	34	79	107	84
EWRO8ED-48-48-96	48	48	96	34	79	111	108
EWRO8ED-48-72-72	48	72	72	34	79	141	84
EWRO8ED-48-72-96	48	72	96	34	79	145	108
EWRO8ED-48-96-72	48	96	72	34	79	169	84
EWRO8ED-48-96-96	48	96	96	34	79	175	110
EWRO8ED-60-60-60	60	60	60	40	91	123	72
EWRO8ED-60-60-72	60	60	72	40	91	129	84
EWRO8ED-60-60-96	60	60	96	40	91	133	108
EWRO8ED-60-72-72	60	72	72	40	91	145	84
EWRO8ED-60-72-96	60	72	96	40	91	151	108
EWRO8ED-60-96-96	60	96	96	40	91	175	110
EWRO8ED-72-72-72	72	72	72	46	103	151	84
EWRO8ED-72-72-96	72	72	96	46	103	151	108
EWRO8ED-72-96-96	72	96	96	46	105	182	110
EWRO8ED-72-120-96	72	120	96	46	107	211	112



THE NATIONAL FIRE PROTECTION ASSOCIATION'S STANDARD NFPA 86 DOCUMENTS GUIDELINES FOR THE SAFE OPERATION OF OVENS AND FURNACES. THIS STANDARD DEFINES AN OVEN OCCASIONED BY THE PRESENCE OF FLAMMABLE VOLATILES OR COMBUSTIBLE MATERIAL AS "CLASS A" AND FURTHER MANDATES SPECIFIC SAFETY EQUIPMENT ON THESE OVENS TO REDUCE THE RISK OF FIRE OR EXPLOSION. SIMILARLY, OVENS OR FURNACES WHEREIN NO FLAMMABLE VOLATILES OR COMBUSTIBLE MATERIALS ARE PRESENT ARE CONSIDERED "CLASS B". IT IS IMPERATIVE THAT THE USER OF HEAT PROCESSING EQUIPMENT BE KNOWLEDGEABLE REGARDING APPLICATION OF THE EQUIPMENT.

MODEL: EWR08ED
 DESCRIPTION: Enhanced Walk-In Oven, Rear Heater, 800 F, Electric, Dual Air Flow
 DRAWING: EWR08ED SALES

LEWCO, INC. IS COMMITTED TO CONTINUOUS IMPROVEMENT AND RESERVES THE RIGHT TO CHANGE DESIGNS AND SPECIFICATIONS WITHOUT NOTICE.
 THIS DRAWING IS CONFIDENTIAL AND MUST NOT BE COPIED, REPRODUCED OR USED FOR ANY PURPOSE WITHOUT THE WRITTEN CONSENT OF LEWCO, INC. ALL RIGHTS RESERVED.

DATE 4/30/2014
 REV 001
 PAGE 1 OF 1

