

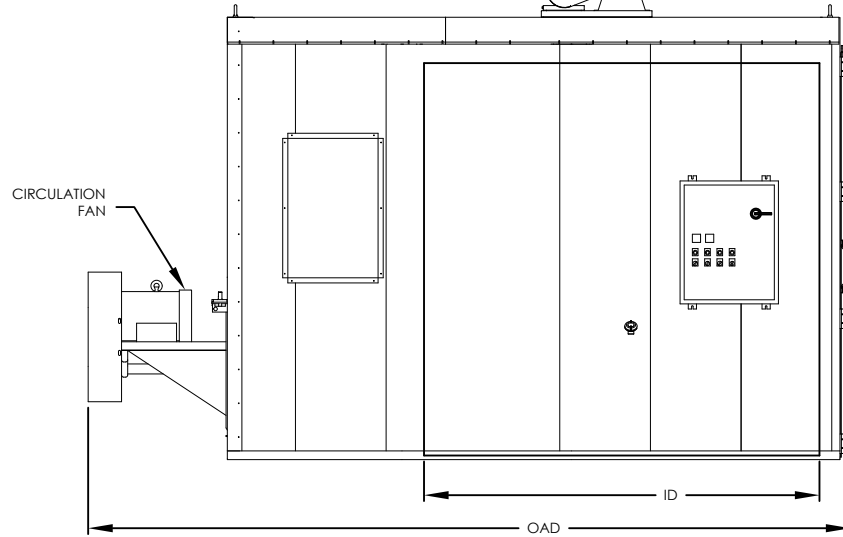
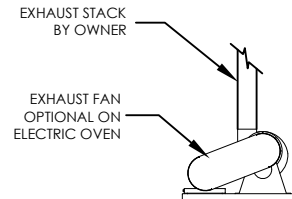
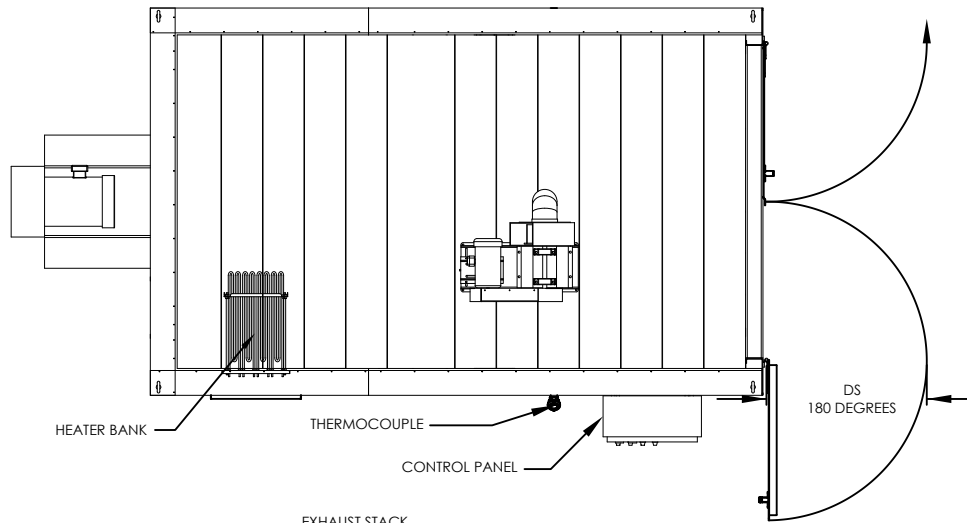


**Enhanced Walk-In Oven, Rear Heater, 500 F, Electric, Horizontal Air Flow  
NFPA Class B**

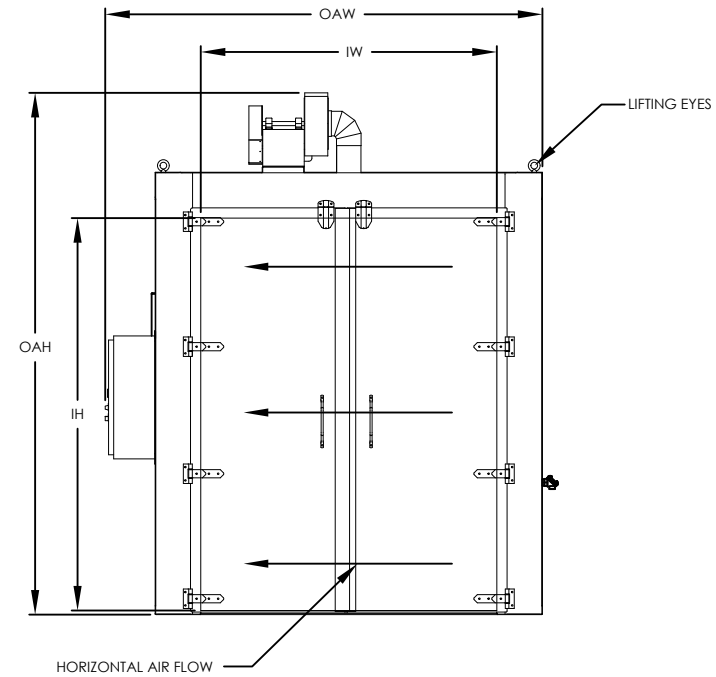
Model	Workspace Dimensions			Heat Input	Circulating Blower (CFM)	Ships
	"W	"D	"H			
EWR05EH-48-48-60	48	- 48	- 60	45 kW	1700	Fully Assembled
EWR05EH-48-48-72	48	- 48	- 72	45 kW	2000	Fully Assembled
EWR05EH-48-48-96	48	- 48	- 96	54 kW	2500	Fully Assembled
EWR05EH-48-72-72	48	- 72	- 72	54 kW	3000	Fully Assembled
EWR05EH-48-72-96	48	- 72	- 96	63 kW	4000	Fully Assembled
EWR05EH-48-96-72	48	- 96	- 72	64 kW	4000	Fully Assembled
EWR05EH-48-96-96	48	- 96	- 96	72 kW	5000	Fully Assembled
EWR05EH-60-60-60	60	- 60	- 60	45 kW	2500	Fully Assembled
EWR05EH-60-60-72	60	- 60	- 72	54 kW	3000	Fully Assembled
EWR05EH-60-60-96	60	- 60	- 96	63 kW	4000	Fully Assembled
EWR05EH-60-72-72	60	- 72	- 72	54 kW	3500	Fully Assembled
EWR05EH-60-72-96	60	- 72	- 96	63 kW	4500	Fully Assembled
EWR05EH-60-96-96	60	- 96	- 96	72 kW	6000	Fully Assembled
EWR05EH-72-72-72	72	- 72	- 72	63 kW	4000	Fully Assembled
EWR05EH-72-72-96	72	- 72	- 96	72 kW	5500	Fully Assembled
EWR05EH-72-96-96	72	- 96	- 96	81 kW	8000	Fully Assembled
EWR05EH-72-120-96	72	- 120	- 96	90 kW	9000	Fully Assembled

**Enhanced Walk-In Oven, Rear Heater, 500 F, Electric, Horizontal Air Flow  
NFPA Class A**

Model	Workspace Dimensions			Heat Input	Circulating Blower (CFM)	Exhaust (ACFM)	Max. Solvent (Gals. / Batch)	Ships
	"W	"D	"H					
EWR05EH-48-48-60	48	- 48	- 60	54	1700	62	0.05	Fully Assembled
EWR05EH-48-48-72	48	- 48	- 72	54	2000	62	0.05	Fully Assembled
EWR05EH-48-48-96	48	- 48	- 96	63	2500	62	0.05	Fully Assembled
EWR05EH-48-72-72	48	- 72	- 72	63	3000	62	0.05	Fully Assembled
EWR05EH-48-72-96	48	- 72	- 96	63	4000	62	0.05	Fully Assembled
EWR05EH-48-96-72	48	- 96	- 72	63	3500	62	0.05	Fully Assembled
EWR05EH-48-96-96	48	- 96	- 96	72	5000	62	0.05	Fully Assembled
EWR05EH-60-60-60	60	- 60	- 60	54	2500	62	0.05	Fully Assembled
EWR05EH-60-60-72	60	- 60	- 72	63	3000	62	0.05	Fully Assembled
EWR05EH-60-60-96	60	- 60	- 96	72	4000	62	0.05	Fully Assembled
EWR05EH-60-72-72	60	- 72	- 72	63	3500	62	0.05	Fully Assembled
EWR05EH-60-72-96	60	- 72	- 96	72	4500	62	0.05	Fully Assembled
EWR05EH-60-96-96	60	- 96	- 96	90	6000	100	0.09	Fully Assembled
EWR05EH-72-72-72	72	- 72	- 72	72	4000	62	0.05	Fully Assembled
EWR05EH-72-72-96	72	- 72	- 96	81	5500	62	0.05	Fully Assembled
EWR05EH-72-96-96	72	- 96	- 96	99	8000	100	0.09	Fully Assembled
EWR05EH-72-120-96	72	- 120	- 96	108	9000	100	0.09	Fully Assembled



MODEL	WORKSPACE DIMENSIONS				OVERALL DIMENSIONS		
	IW (in)	ID (in)	IH (in)	DS (in)	OAW (in)	OAD (in)	OAH (in)
EWRO5EH-48-48-60	48	48	60	34	78	105	71
EWRO5EH-48-48-72	48	48	72	34	78	105	83
EWRO5EH-48-48-96	48	48	96	34	78	105	107
EWRO5EH-48-72-72	48	72	72	34	78	133	83
EWRO5EH-48-72-96	48	72	96	34	78	133	107
EWRO5EH-48-96-72	48	96	72	34	78	157	83
EWRO5EH-48-96-96	48	96	96	34	78	163	107
EWRO5EH-60-60-60	60	60	60	40	90	117	71
EWRO5EH-60-60-72	60	60	72	40	90	121	83
EWRO5EH-60-60-96	60	60	96	40	90	127	107
EWRO5EH-60-72-72	60	72	72	40	90	133	83
EWRO5EH-60-72-96	60	72	96	40	90	139	107
EWRO5EH-60-96-96	60	96	96	40	90	169	107
EWRO5EH-72-72-72	72	72	72	46	102	139	83
EWRO5EH-72-72-96	72	72	96	46	102	145	107
EWRO5EH-72-96-96	72	96	96	46	104	173	107
EWRO5EH-72-120-96	72	120	96	46	106	197	107



THE NATIONAL FIRE PROTECTION ASSOCIATION'S STANDARD NFPA 86 DOCUMENTS GUIDELINES FOR THE SAFE OPERATION OF OVENS AND FURNACES. THIS STANDARD DEFINES AN OVEN OCCASIONED BY THE PRESENCE OF FLAMMABLE VOLATILES OR COMBUSTIBLE MATERIAL AS "CLASS A" AND FURTHER MANDATES SPECIFIC SAFETY EQUIPMENT ON THESE OVENS TO REDUCE THE RISK OF FIRE OR EXPLOSION. SIMILARLY, OVENS OR FURNACES WHEREIN NO FLAMMABLE VOLATILES OR COMBUSTIBLE MATERIALS ARE PRESENT ARE CONSIDERED "CLASS B". IT IS IMPERATIVE THAT THE USER OF HEAT PROCESSING EQUIPMENT BE KNOWLEDGEABLE REGARDING APPLICATION OF THE EQUIPMENT.

MODEL: EWR05EH  
 DESCRIPTION: Enhanced Walk-In Oven, Rear Heater, 500 F, Electric, Horizontal Air Flow  
 DRAWING: EWR05EH SALES

LEWCO, INC. IS COMMITTED TO CONTINUOUS IMPROVEMENT AND RESERVES THE RIGHT TO CHANGE DESIGNS AND SPECIFICATIONS WITHOUT NOTICE.  
 THIS DRAWING IS CONFIDENTIAL AND MUST NOT BE COPIED, REPRODUCED OR USED FOR ANY PURPOSE WITHOUT THE WRITTEN CONSENT OF LEWCO, INC. ALL RIGHTS RESERVED.

DATE 4/30/2014  
 REV 001  
 PAGE 1 OF 1

