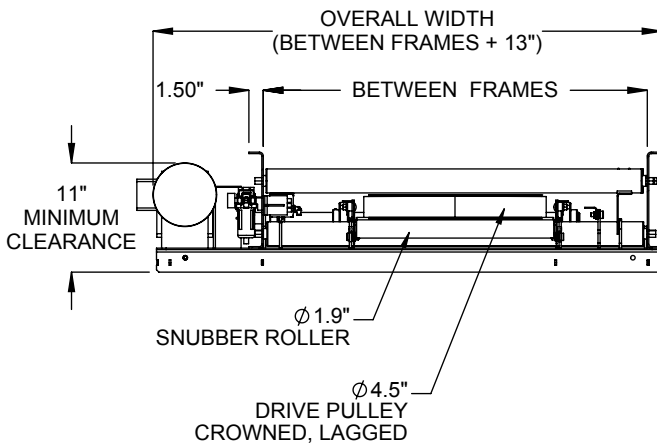
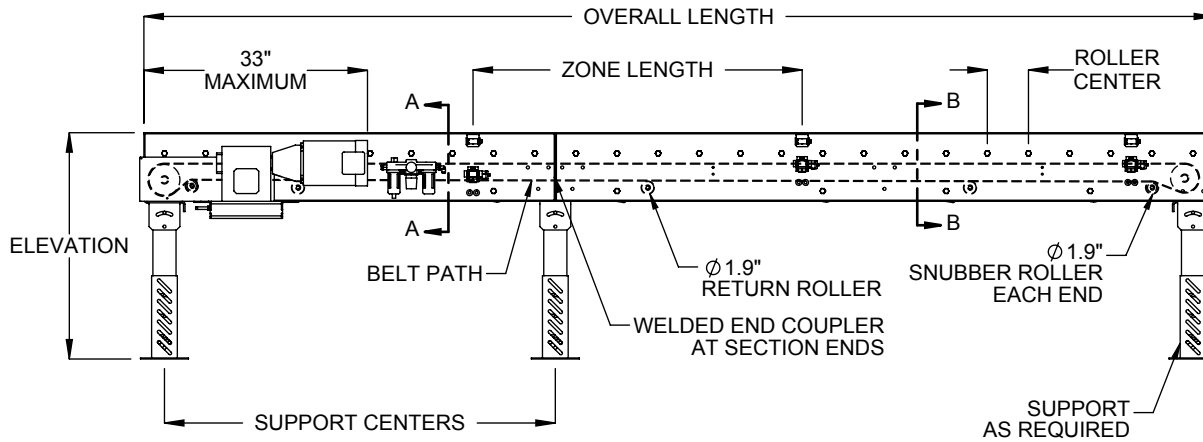
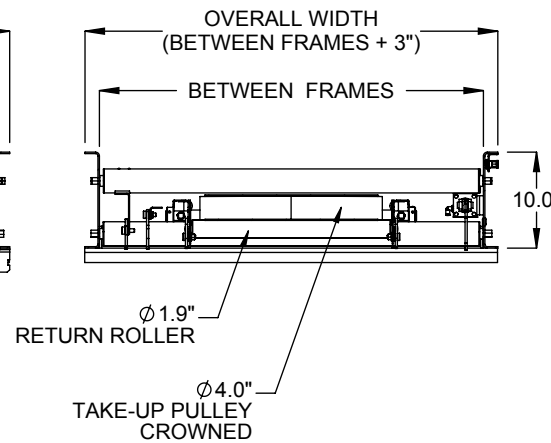


END DRIVE, RIGHT HAND SIDE (SHOWN)
LEFT HAND SIDE OPPOSITE AS SHOWN



SECTION A-A
DRIVE END



SECTION B-B
TAKE-UP END
TYP ALL DRIVES

SPECIFICATIONS

BETWEEN FRAMES: 15" - 39"	
BEGINNING ELEVATION: 12" - 60"	LENGTH: 72" - 840"
ENDING ELEVATION: 12" - 60"	SPEED: 10 - 120 FPM
ROLLER CENTERS: 3", 4", 6"	
ROLLERS: Standard rollers are 1.9" diameter with 7/16" hex cold rolled steel axles, spring retained, grease packed bearings. 1916 roller has 16ga wall tube, precision bearings. 1912 roller has 12ga wall tube, precision bearings. 1909 roller has 9ga wall tube, semi-precision bearings.	
BELT: Standard belt is Trackmate 120 EMB with clipper lace.	
DRIVE: Standard drive is end, right hand side. <u>Optional</u> drives include End drive left hand side or Center drive right hand side	
MOTOR: 1/2 HP through 1-1/2 HP. Energy efficient and inverter duty motors also available. Voltages include 115/1/60, 208/3/60, 230/3/60, 460/3/60 and 575/3/60 & DC Voltage.	
ROLLER SURFACE: Standard roller surface is carbon steel. <u>Optional</u> galvanized surface for 1912 and 1916 rollers.	
SUPPORT CENTERS: Standard supports are floor supports on 10' centers. <u>Optional</u> supports on 5' centers. Ceiling supports are also available.	
FRAME FINISH: Standard finish is OSHA safety blue powder. <u>Optional</u> colors include green, beige, gray, orange, black and yellow.	
ACCUMULATION ZONES: Zone length is a multiple of roller center. Recommended zone length is 12" longer than longest product length. <u>Standard</u> zone logic is for cascading accumulation.	
TREAD ROLLER BRAKE: Friction type brake is actuated automatically with zone actuation to prevent coasting of product in the accumulation zones.	
AIR REQUIREMENTS: Requires 40PSI air pressure of clean, filtered air at consumption of approximately 0.05 cubic feet per sensor actuation.	
FILTER REGULATOR: Supplied for main air supply at input, 3/8" NPT port.	
POWER SUPPLY: Includes 24 VDC power supply located near center of conveyor and capable of supplying power for up to 50 zones.	

Model: ZPLR19 - Zero Pressure Live Roller Conveyor