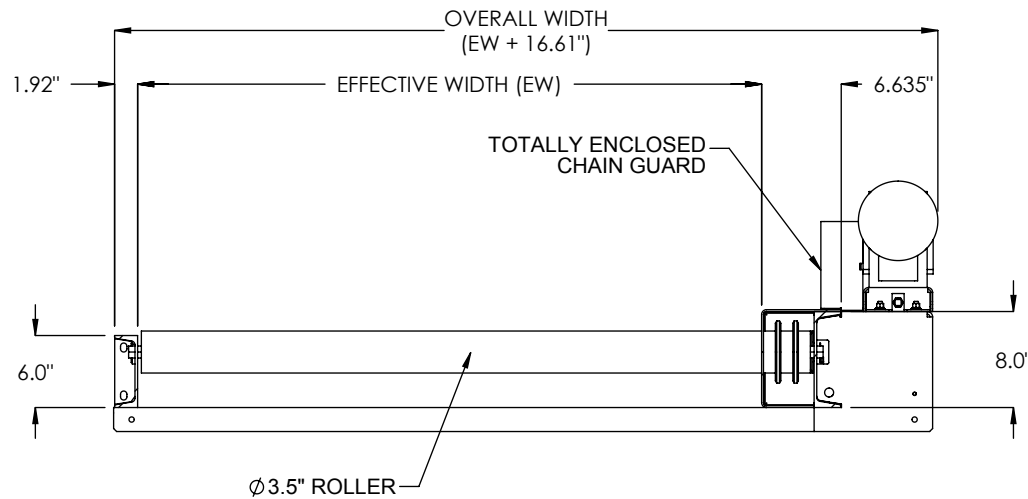


DRIVE MOUNTED HIGH



**SECTION A-A
DRIVE MOUNTED HIGH**

SPECIFICATIONS

EFFECTIVE WIDTH: 13" - 84"

BEGINNING ELEVATION: 9" - 120"

LENGTH: 48" - 960"

ENDING ELEVATION: 9" - 120"

SPEED: 10 - 120 FPM

ROLLER CENTERS: 6", 7.5", 12"

DRIVE: Standard drive is mounted high near center of conveyor length on chain box side. Optional drives include drive mounted low or drive mounted below and within, near center.

FRAME: Standard frame includes 8" channel on chain box side and 6" channel on opposite side with roller set high in frame. Optional frames include structural 8@11.5# both sides with roller set low.

MOTOR: 1/2 HP through 3 HP. Energy efficient and inverter duty motors also available. Voltages include 120/1/60, 230/3/60, 460/3/60 and 575/3/60 & DC Voltage.

ROLLER BEARING: Precision, grease packed bearings, 1" hexagon axles.

ROLLER COVERS: Standard carbon steel finish. Optional cast urethane covers.

SUPPORT CENTERS: Standard supports are floor supports on 5' center.

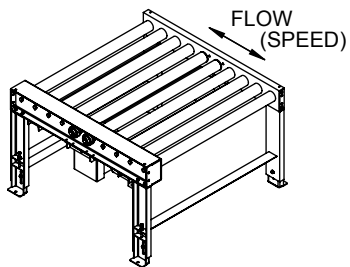
FRAME FINISH: Standard finish is OSHA safety blue powder. Optional colors include green, beige, gray, orange, black and yellow.

Model: CDLR35 - Chain Driven Live Roller Conveyor

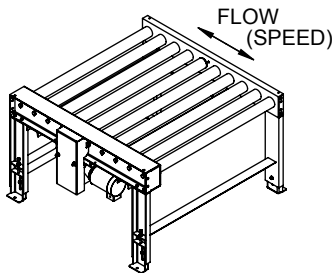
REV

1

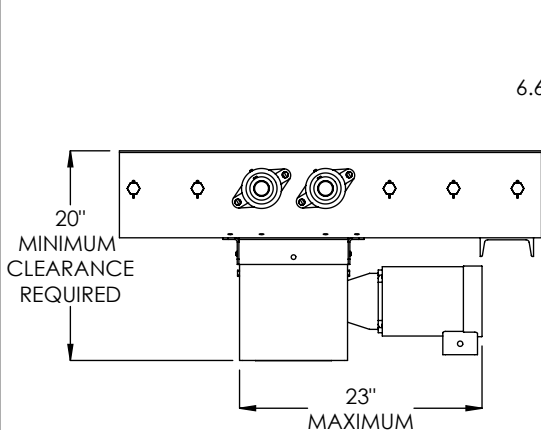




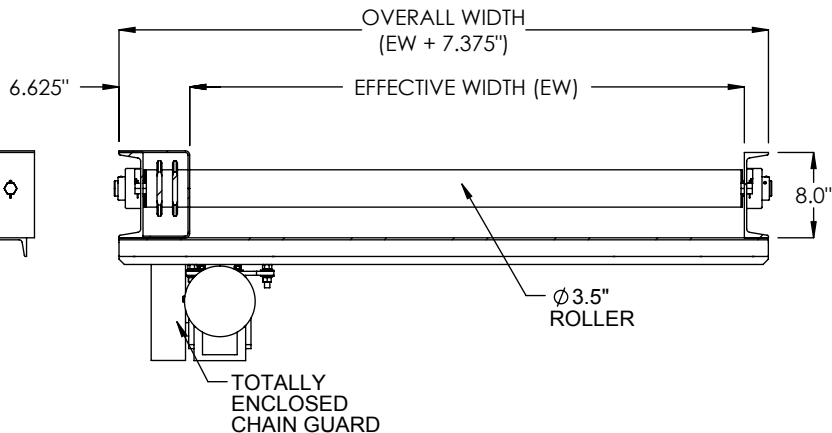
DRIVE MOUNTED BELOW AND WITHIN



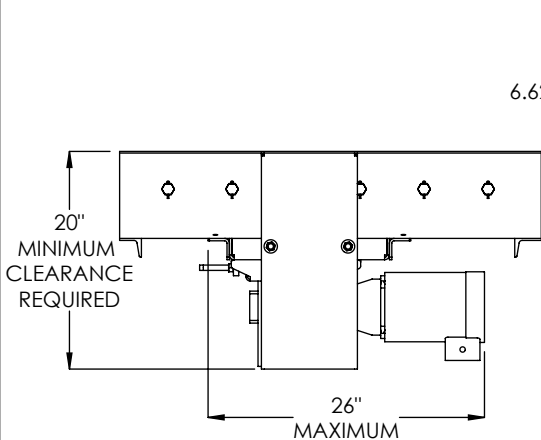
DRIVE MOUNTED LOW



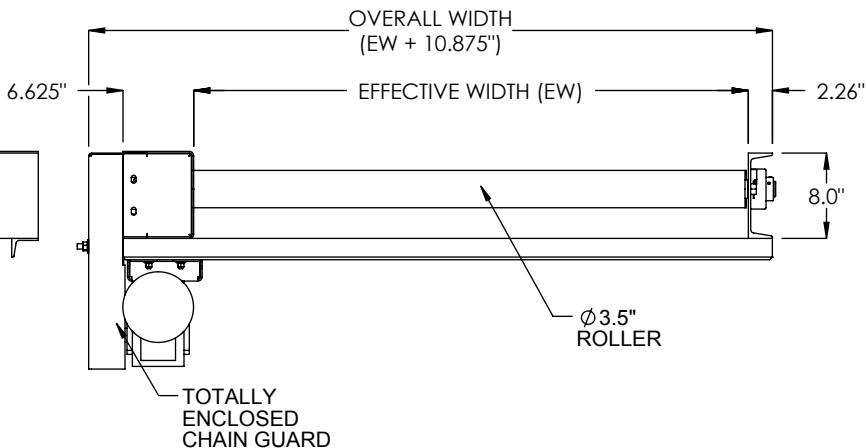
DRIVE OPTION MOUNTED BELOW AND WITHIN



DRIVE MOUNTED BELOW AND WITHIN END VIEW



DRIVE OPTION MOUNTED LOW



DRIVE MOUNTED LOW END VIEW

**LOAD CAPACITY @ 60 FPM (LBS)
CENTER DRIVE, 6" ROLLER CENTERS, 20 FT LENGTH**

HP	WIDTH		
	36"	60"	84"
1/2	300	-	-
3/4	1250	400	-
1	2200	1350	550
1 1/2	5050	4200	3400
2	9050	8200	7400
3	14350	13550	12750

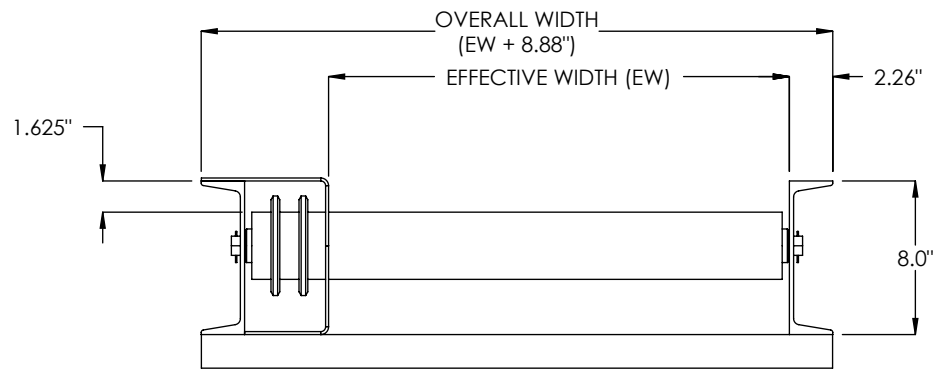
**LOAD CAPACITY @ 30 FPM (LBS)
CENTER DRIVE, 6" ROLLER CENTERS, 20 FT LENGTH**

HP	WIDTH		
	36"	60"	84"
1/2	2850	2000	1200
3/4	5050	4250	3400
1	9050	8250	7450
1 1/2	14400	13550	12750
2	19700	18900	18100
3	30400	29550	28750

RECOMMENDED MAXIMUM CONVEYOR LOAD IS 2000 LBS PER LINEAR FOOT - NOT TO EXCEED CAPACITY ABOVE. FOR HEAVIER LOADS, CONSULT FACTORY.

*** HP requirements will vary for different drive options, conveyor lengths, roller centers, pallet types and chain lubrication conditions. Consult factory.**

FRAME OPTIONS:



F28 CHANNEL, 8@11.5#